

Technical Data Sheet

Astro Intu Mastic - Trowel Grade

UIC of product-type: INTUM

Revision 6 - 23rd November 2020





> Technical Data	General Product Description	> Page 1
> Technical Data	Rigid walls, Floors & Flexible Walls	> Page 1
> Technical Data	Air Permeability	> Page 2
> Technical Data	Dangerous Substances & Durability And Serviceability	> Page 2
> Technical Data	Astro Intu Mastic Fire Resistant Joint Through Rigid Floor	> Page 3
> Technical Data	Astro Intu Mastic Fire Resistant Joint Through Rigid Floor And Steel	> Page 4
> Technical Data	Astro Intu Mastic Fire Resistant Joint Through Rigid Wall	> Page 5
> Technical Data	Astro Intu Mastic Fire Resistant Joint Through Rigid Wall And Softwood	> Page 6
> Technical Data	Astro Intu Mastic Fire Resistant Joint Through Flexible Wall Horizontal Orientation	> Page 7
> Technical Data	Astro Intu Mastic Fire Resistant Joint Through Flexible Wall Vertical Orientation	> Page 8
> Technical Data	Astro Intu Mastic Fire Resistant Loose Cable Penetration Seal Through Flexible Wall Horizontal Orientation Without Backing Material	> Page 9
> Technical Data	Astro Intu Mastic Fire Resistant Loose Cable Penetration Seal Through Flexible Wall Horizontal Orientation	> Page 10
> Technical Data	Astro Intu Mastic Fire Resistant Cable Tray & Cable Penetration Seal Through Flexible Wall Horizontal Orientation Without Backing Material	> Page 11
> Technical Data	Astro Intu Mastic Fire Resistant Cable Tray & Cable Penetration Seal Through Flexible Wall Horizontal Orientation	> Page 12
> Technical Data	Astro Intu Mastic Fire Resistant Metallic Pipe Penetration Seal Through Flexible Wall Horizontal Orientation Without Backing Material	> Page 13
> Technical Data	Astro Intu Mastic Fire Resistant Metallic Pipe Penetration Seal With TDW Through Flexible Wall Horizontal Orientation Without Backing Material	> Page 14
> Technical Data	Astro Intu Mastic To Seal Astro Batt System In A Multi Penetration Seal	> Page 15
> Technical Data	UL Certification Fill or Cavity Materials Certified for US & Canada	> Page 16
> Technical Data	Astro Intu Mastic Fire Rated Joint Through Concrete Floor / Concrete Assembly Head Of Wall	> Page 17
> Technical Data	Astro Intu Mastic Fire Rated Joint Through Lightweight Partition	> Page 18
> Technical Data	Astro Intu Mastic Fire Rated Joint Through Concrete Wall / Concrete Wall Assembly	> Page 19
> Technical Data	Astro Intu Mastic Fire Rated Joint Through Concrete Floor / Lightweight Partition Assembly Head Of Wall	> Page 20
> Technical Data	Durability and Serviceability	> Page 21
> Technical Data	Certifire, Astro Intu Mastic EN 1366-4 Approval Matrix	> Page 22
> Technical Data	Typical Details Of Flexible Wall Gap Using Intu Mastic With Pe Backer Rod	> Page 27
> Technical Data	Typical Vertical Section Showing Use Of The Astro Intu Mastic In A Blockwall With A Cable Tray	> Page 28
> Technical Data	Blockwork To Column Gap Using Astro Intu Mastic With Pe Backer Rod	> Page 29
> Technical Data	Blockwork To Column Gap Using Astro Intu Mastic With Pe Backer Rod	> Page 30
> Technical Data	Blockwork To Column Gap Using Astro Intu Mastic With Pe Backer Rod	> Page 31
> Technical Data	SRL Data Sheet	> Page 32

General Product Description

Astro Intu Mastic is an acrylic based sealant used to reinstate the fire resistance performance of wall and floor constructions where they have been provided with apertures for the penetrations of multiple services and to form linear gap seals where gaps are present in wall and floor constructions and linear joints where wall and floor constructions abut.

Astro Intu Mastic has slight intumescent properties that cause it to swell on heating.

The Astro Intu Mastic is supplied in liquid form contained within 310ml & 380ml cartridges, 600ml foils or in 5, 10, 20 or 25 kg tubs. The sealant is gunned or trowelled into the aperture in or between the separating elements/elements to a specific depth utilising various backing materials.

A polyethylene backing rod can be utilised as a depth gauge. Reaction to Fire classification 'F'

The Intended use of system Astro Intu Mastic is to reinstate the fire resistance performance of gaps in and joints between rigid and flexible wall constructions, gaps in and joints between rigid floor constructions.

The specific elements of construction that the system Astro Intu Mastic may be used to provide a gap or joints seal in, are as follow:

Rigid Floors

The floor must have a minimum thickness of 150mm and comprise concrete, aerated concrete or masonry, with a minimum density of 650kg/m³.

Rigid walls

The wall must have a minimum thickness of 100mm and comprise concrete, aerated or masonry, with a minimum density of 650kg/m³

Flexible walls

The wall must have a minimum thickness of 100mm and comprise timber or steel studs lined on both faces with minimum 2 layers of 12.5mm thick, 'Type F' Gypsum boards according to EN 520. In timber stud walls, no part of the penetration shall be closer than 100mm to a stud, the cavity must be closed between the penetration seal and the stud and minimum 100mm of insulation of class A1 or A2 according to EN 13501-1, is provided within the cavity between the penetration seal and the stud.

Astro Intu Mastic is required to seal all joints and junctions during the sealing process of Astro Batt. Astro Coated Batt are 50mm thick and supplied in overall dimensions 1200mm x 600mm with a density 140kg/m³ and is subject to a separate ETA referenced 14-0099.

The Supporting construction must be classified in accordance with EN 13501-2 for the required fire resistance period.

The system Astro Intu Mastic may be used to provide a linear joint or gap seal with specific supporting constructions and substrates and as a penetration seal.

The maximum permitted joint/gap width for system Astro Intu Mastic[®] is 50mm. The maximum movement capability of system Astro Intu Mastic is ≤ 7.5%

Astro Intu Mastic has been tested in accordance with EOTA Technical Report - TR024 - Edition November 2006, for the type Z₁, use category specific in ETAG 026-3 (used as European Assessment Document, EAD). The results of the tests have demonstrated suitability for Penetration Seals and Linear Gap Joints.

Type Z : Intended for use In internal conditions with humidity equal to or higher than 85% RH excluding temperatures below 0°C, without exposure to rain or UV.

Air permeability

System Astro Intu Mastic has been tested in accordance with BS EN 1314-1 to provide the following results:

Product tested		Astro Intu Mastic intumescent sealant		
	Results under positive chamber pressure		Results under negative chamber pressure	
Pressure (Pa)	Leakage (m ³ /h)	Leakage (m ³ / M ² /h)	Leakage (m ³ /h)	Leakage (m ³ /m ² /h)
50	0.6	0.8	1.1	1.5
100	1.0	1.4	1.3	1.8
150	2.8	3.9	1.5	2.1
200	3.8	5.3	1.9	2.6
250	4.5	6.3	2.0	2.8
300	5.0	6.9	2.4	3.3
450	5.1	7.1	1.9	2.6
600	6.7	9.3	2.2	3.1

Airbourne Sound Insulation

Acoustic Rating BS EN ISO 10140-3:1995	Rw(C;Ctr) :38(-2;-7) dB
---	-------------------------

Dangerous substances

A declaration that Astro Intu Mastic does not contain any substance of high concern with regards to REACH Regulations and are compliant with the requirements.

Confirmation has further been declared that all dangerous chemical substances $\geq 1.0\%$ w/w as well as all toxic, carcinogenic, toxic for reproduction and mutagenic chemical substances $\geq 0.1\%$ w/w (Status: 29. adaption – 2004/73/EG – of the EU directive 67/548/EEC - classification, packaging and labelling of dangerous substances) are stated in the Astro Intu Mastic safety data sheets (according to 91/155/EEC including amendments) and have been considered for the classification of the products according to the directive 1999/45/EG (classification of preparations, including amendments).

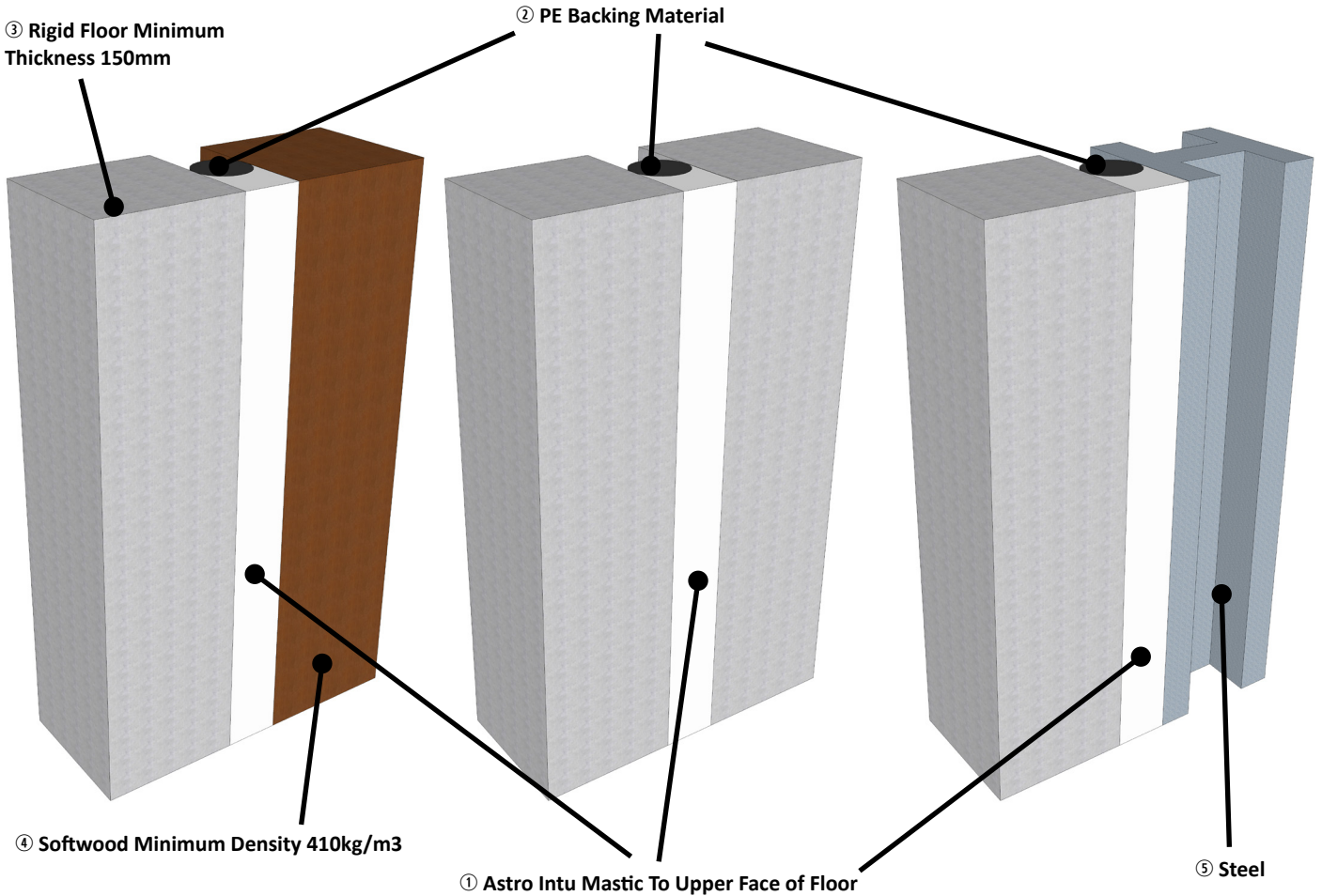
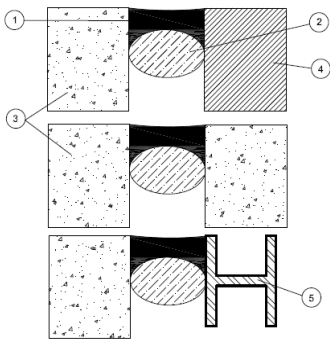
All dangerous chemical substances are below the classification limits of 67/548/EEC.

In addition to the specific clauses relating to dangerous substances contained in this European technical approval, there may be other requirements applicable to the products falling within its scope (e.g. transposed European legislation and national laws, regulations and administrative provisions). In order to meet the provisions of the Construction Products Regulation, these requirements need also to be complied with, when and where they apply.

The provisions made in the European Technical Assessment are based on an assumed working life of the Astro Intu Mastic of 10 years, provided that the conditions laid down in sections 4.2/5.1/5.2 for the packaging/transport/storage/installation/use/ repair are met. The indications given on the working life cannot be interpreted as a guarantee given by the producer but are to be regarded only as a means for choosing the right products in relation to the expected economically reasonable working life of the works.

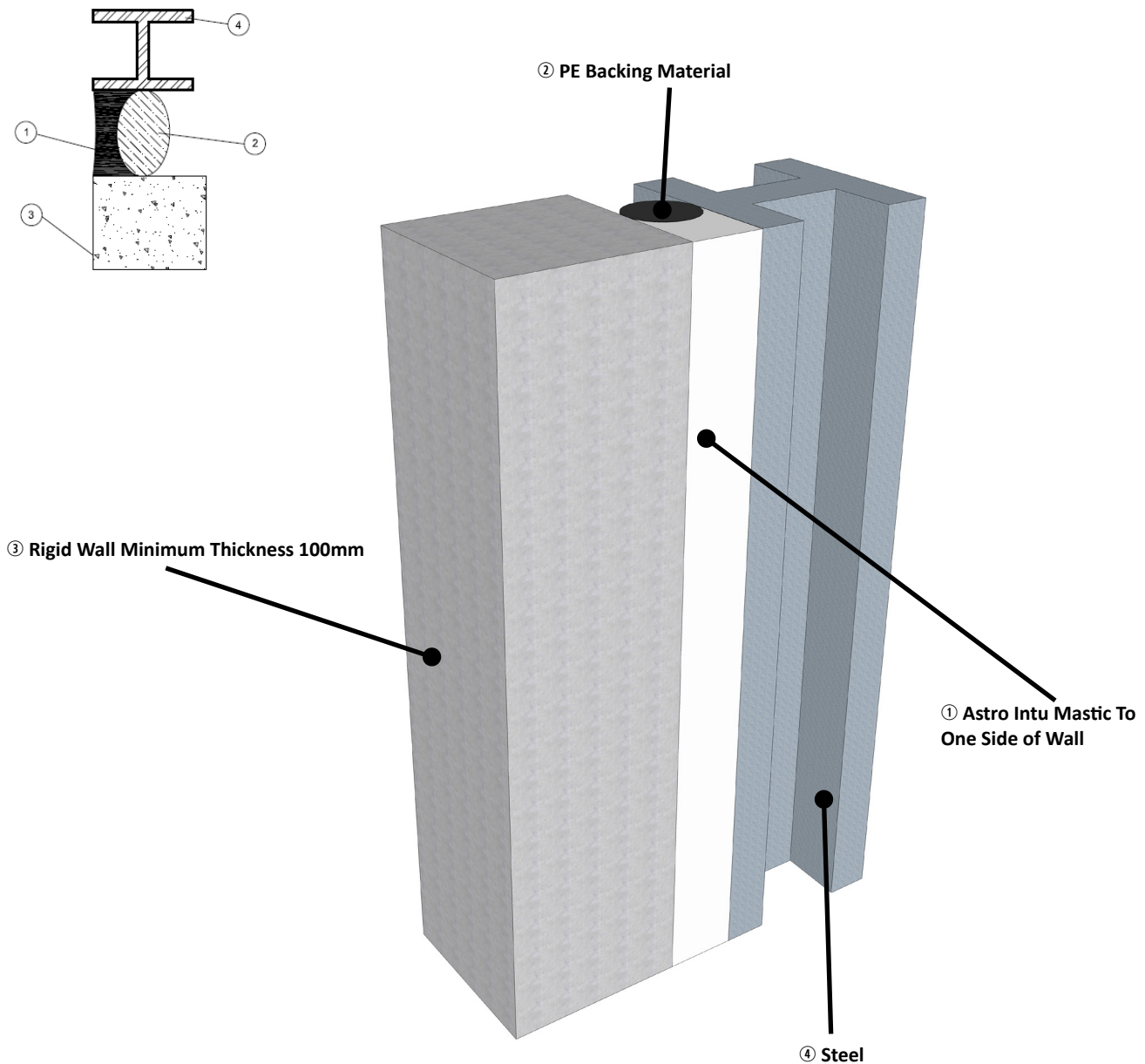
Astro Intu Mastic Linear Joint Seals. Min 150mm thick Rigid Floor, Horizontally orientated to one side of the floor			
Substrate	Depth (mm)	Backing material	Classification
Concrete-Concrete	10(Single side)	PE backing rod	E240 EI45-H-X-F-W 00 to 20
Concrete-Concrete	25(Single Side)	PE backing rod	E240 EI90-H-X-F-W 00 to 50
Concrete-Steel	10(Single Side)	PE backing rod	E120 EI20-H-X-F-W 00 to 20
Concrete-Steel	50(Single Side)	PE backing rod	E240 EI90-H-X-F-W 00 to 50
Concrete-Softwood	10(Single Side)	PE backing rod	EI30-H-X-F-W 00 to 20
Concrete-Softwood	50(Single Side)	PE backing rod	EI45-H-X-F-W 00 to 50

DESIGN TO ETA 14-0050 & CE 1121-CPR-JA5015 ASTRO INTU MASTIC FIRE RESISTANT JOINT THROUGH RIGID FLOOR

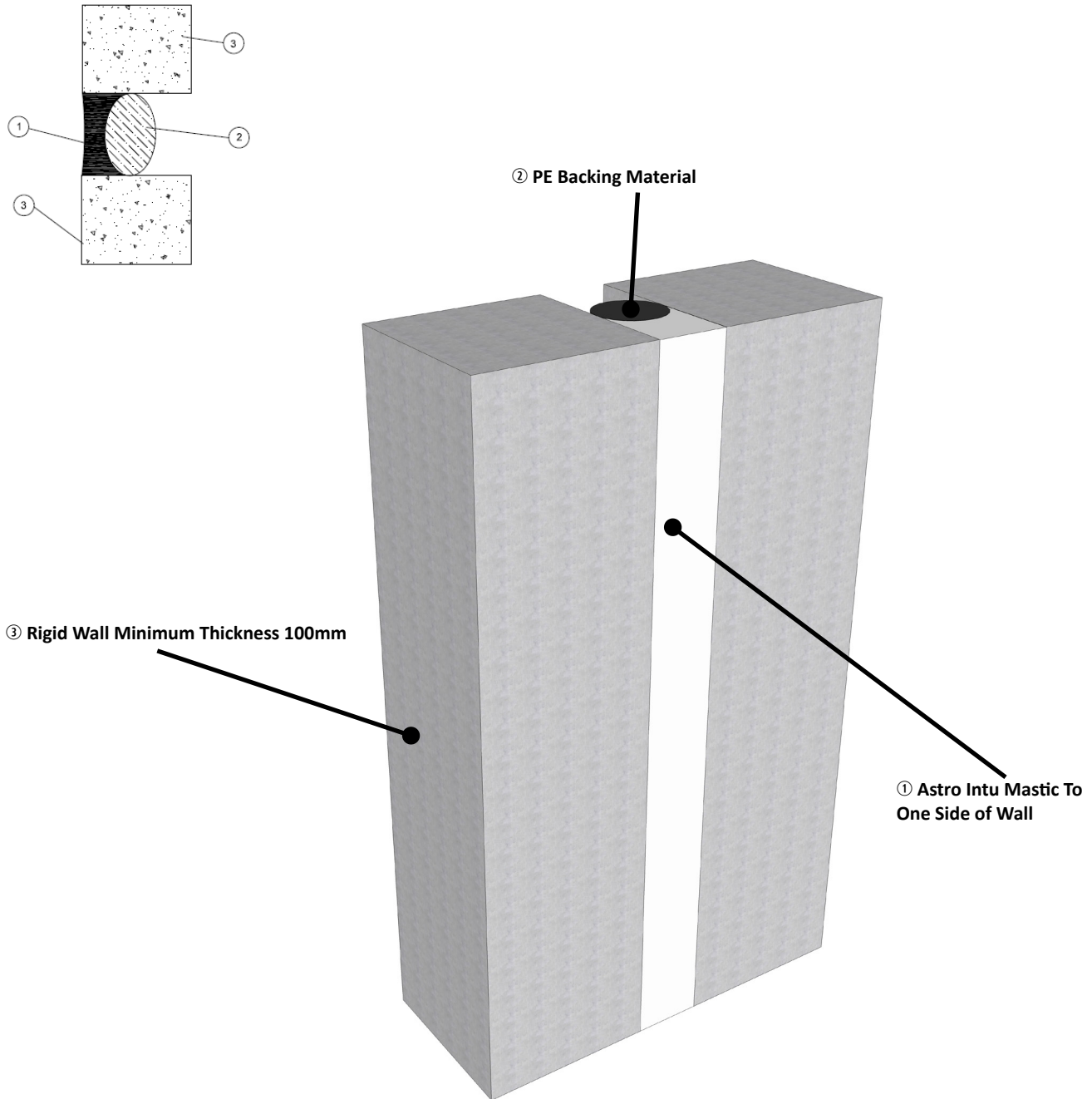


Astro Intu Mastic Linear Joint Seals. Min 150mm thick Rigid Floor, Horizontally orientated to one side of the floor			
Substrate	Depth (mm)	Backing material	Classification
Concrete-Concrete	10(Single side)	PE backing rod	E120 EI45-V-X-F-W 00 to 20
Concrete-Concrete	25(Single Side)	PE backing rod	E120 EI60-V-X-F-W 00 to 50
Concrete-Steel	10(Single Side)	PE backing rod	E120 EI20-V-X-F-W 00 to 20
Concrete-Steel	50(Single Side)	PE backing rod	E45 EI30-V-X-F-W 00 to 50
Concrete-Softwood	10(Single Side)	PE backing rod	E30 EI20-V-X-F-W 00 to 20
Concrete-Softwood	50(Single Side)	PE backing rod	EI45-V-X-F-W 00 to 50

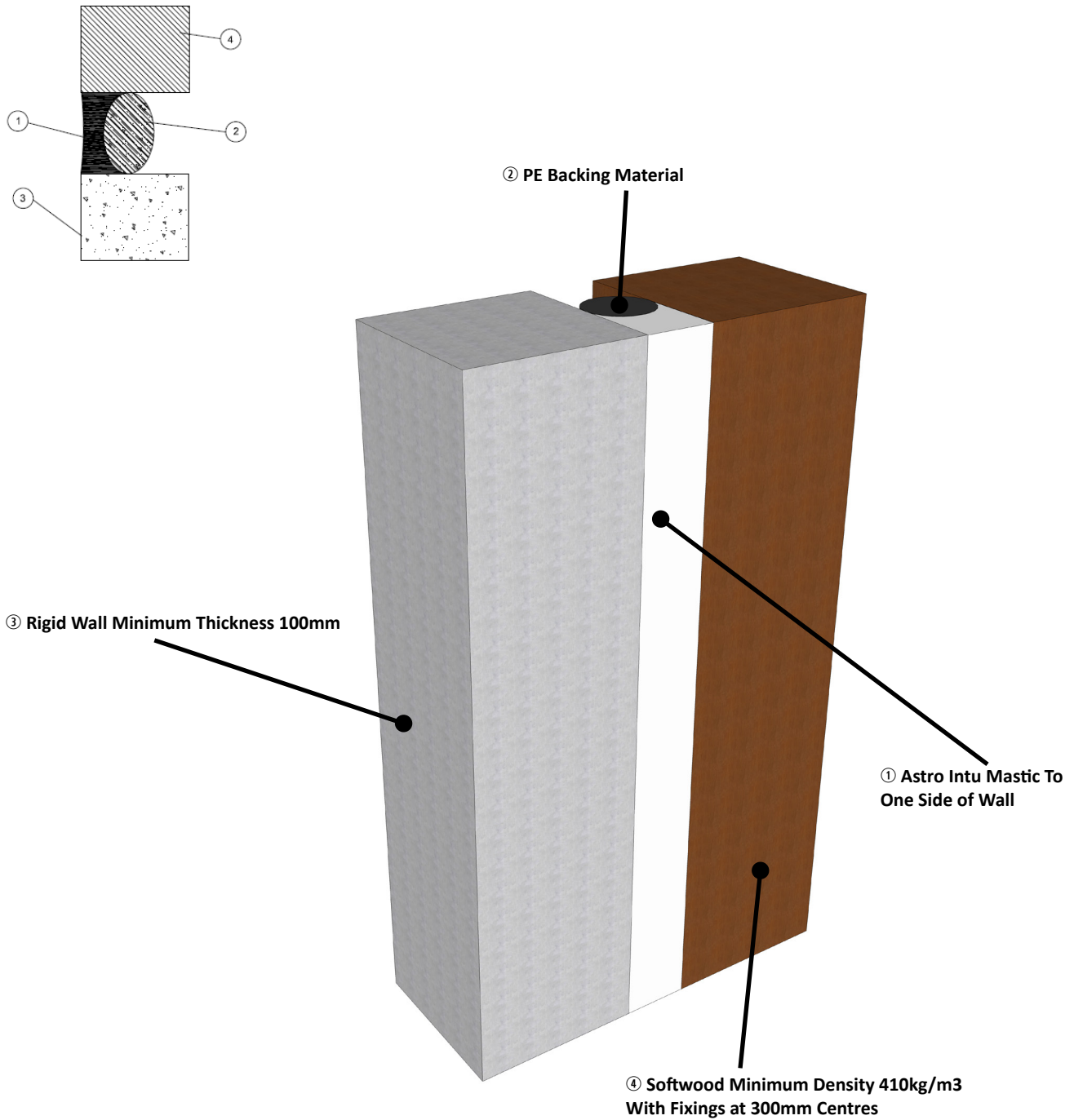
DESIGN TO ETA 14-0050 & CE 1121-CPR-JA5015 ASTRO INTU MASTIC FIRE RESISTANT JOINT THROUGH RIGID FLOOR AND STEEL



DESIGN TO ETA 14-0050 & CE 1121-CPR-JA5015 ASTRO INTU MASTIC FIRE RESISTANT JOINT THROUGH RIGID WALL

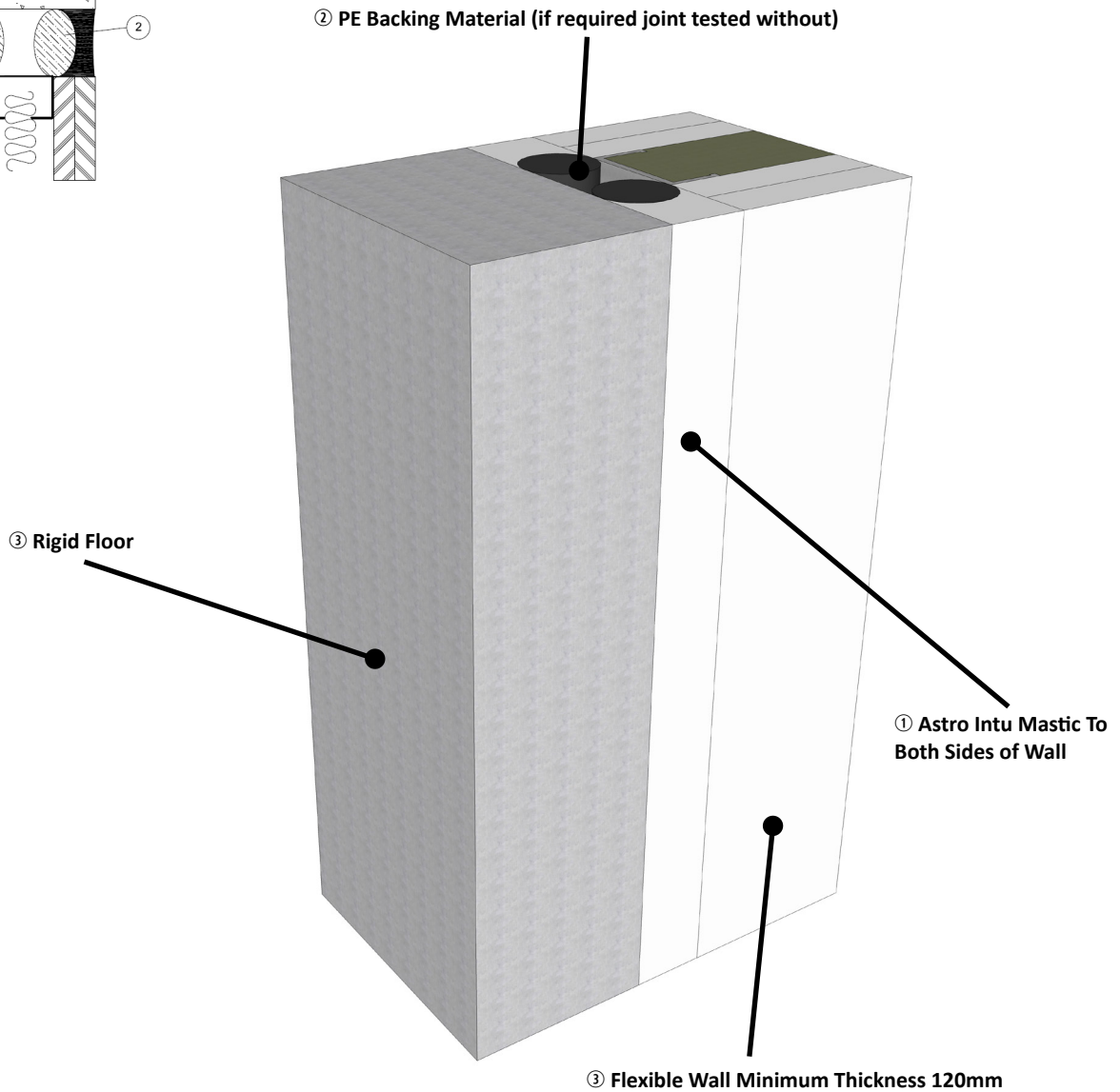
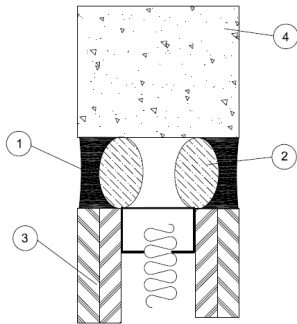


DESIGN TO ETA 14-0050 & CE 1121-CPR-JA5015 ASTRO INTU MASTIC FIRE RESISTANT JOINT THROUGH RIGID WALL AND SOFTWOOD



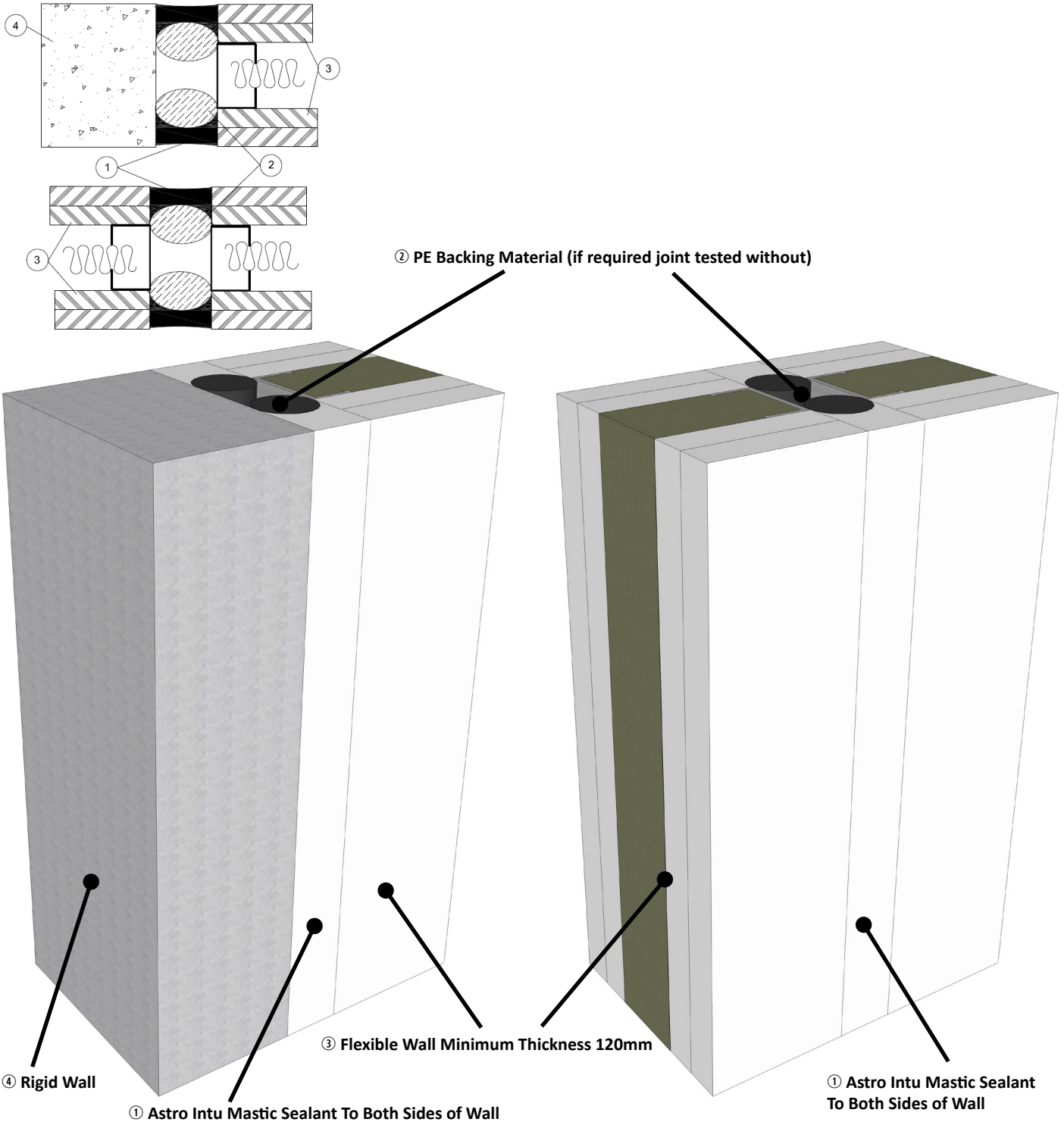
Astro Intu Mastic Linear Joint Seals. Min 120mm thick - Sealing of Drywall Head Track - Sealant Flush To Both Faces of The Wall. Horizontally Orientated Sealant To Both Sides of The Wall		
Substrate	Depth (mm)	Classification
Gypsum board/Steel head track	25mm (both side)	EI120-V-X-F-W 00 to 50
Gypsum board/Steel head track	25mm (both side)	EI120-V-X-F-W 00 to 50

DESIGN TO ETA 14-0050 & CE 1121-CPR-JA5015 ASTRO INTU MASTIC FIRE RESISTANT JOINT THROUGH FLEXIBLE WALL HORIZONTAL ORIENTATION



Astro Intu Mastic Linear Joint Seals. Min 120mm Thick Flexible or Rigid Wall. Sealant Flush to Both Faces of The Wall		
Depth (mm)	Backing material	Classification
12.5(Both side)	PE backing rod	EI120-V-X-F-W 00 to 20

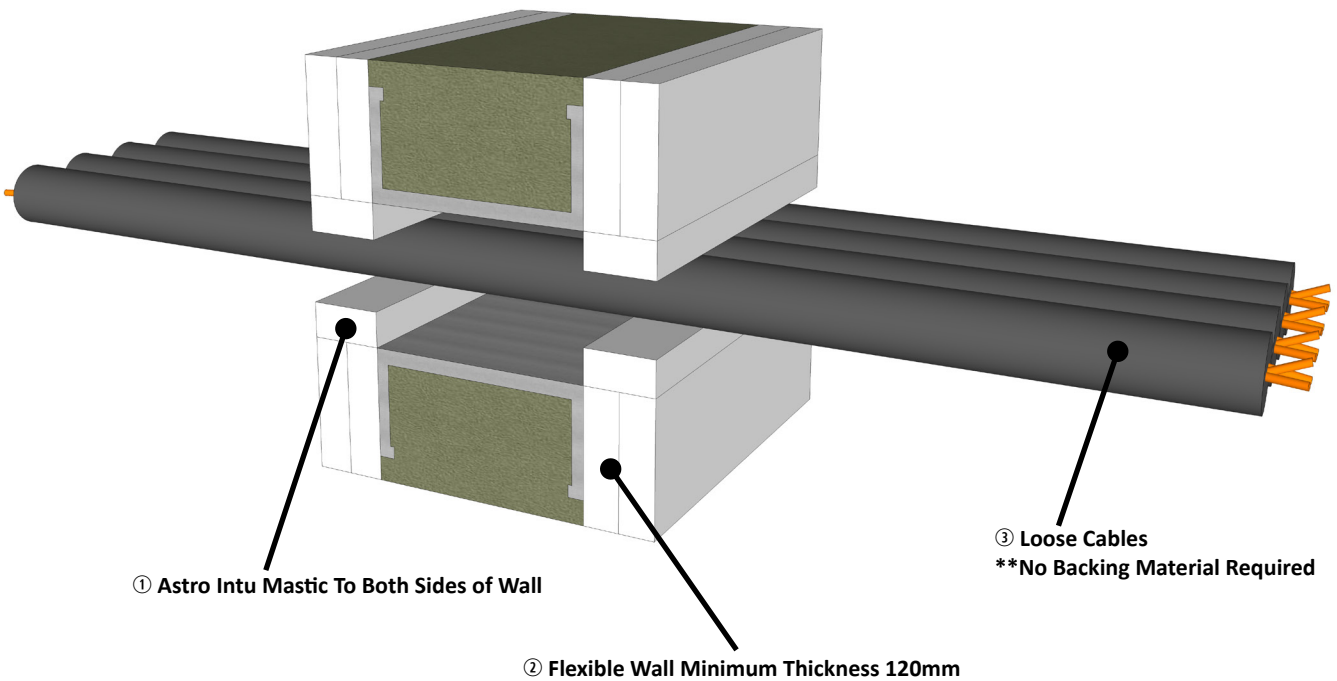
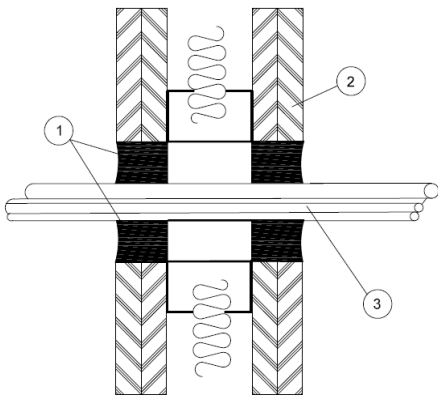
DESIGN TO ETA 14-0050 & CE 1121-CPR-JA5015 ASTRO INTU MASTIC FIRE RESISTANT JOINT THROUGH FLEXIBLE WALL VERTICAL ORIENTATION



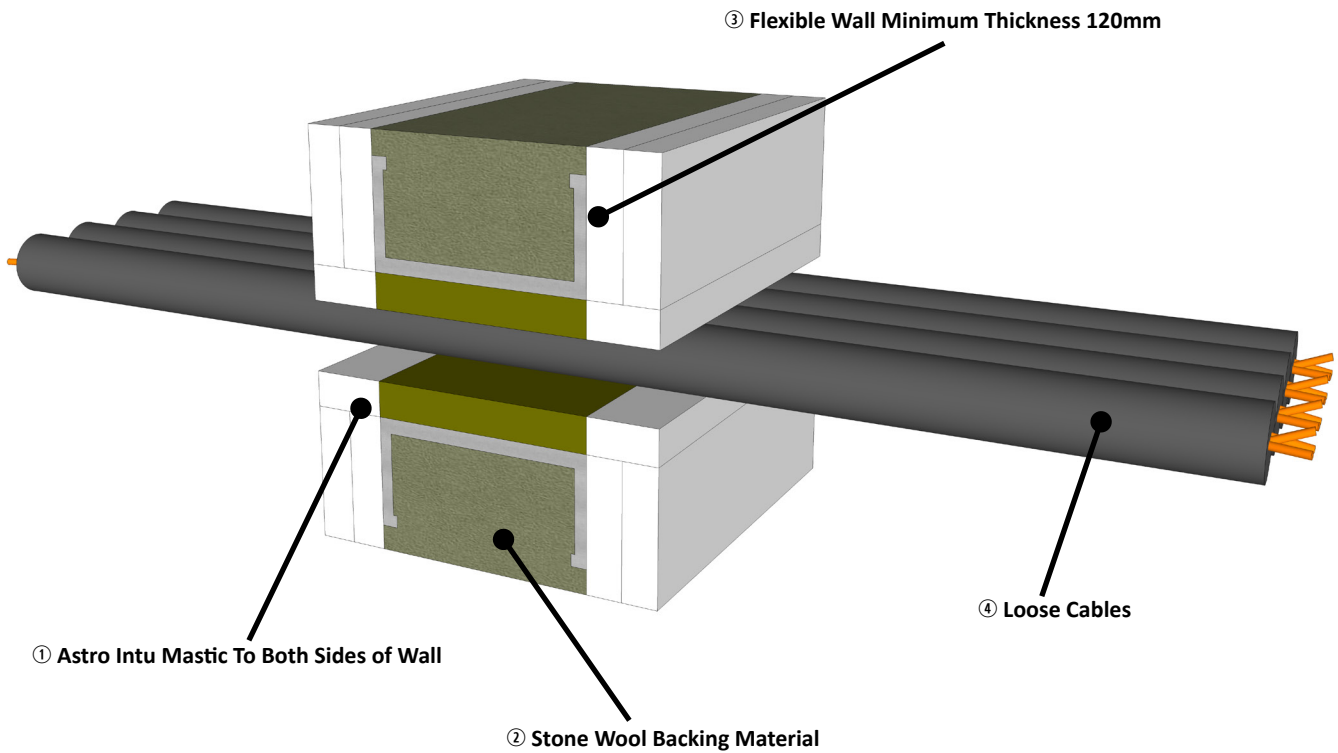
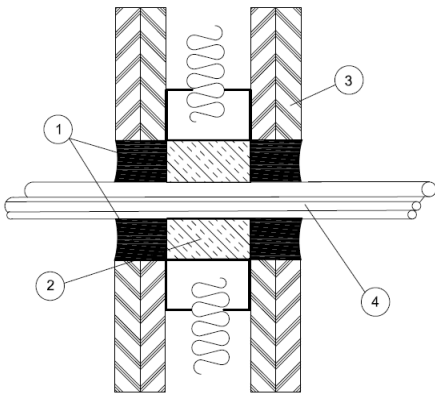
DET 8-0037 Date: 21/01/14

Astro Intu Mastic Linear Joint Seals. Min 120mm flexible wall, Horizontally orientated to both sides of the wall. Sealant to both sides of the wall			
Penetration Specification	Astro Intu Mastic® (installed Both Faces)	Backing material	Classification
Cables up to 21mm	490mm long x 100mm high x 25mm deep	70mm thick, 80kg/m ³	E120 EI90
Perforated Cable Tray 450mm x 50mm			
Cables up to 21-50mm	200mm long x 100mm high x 25mm deep	N/A	E90 EI60

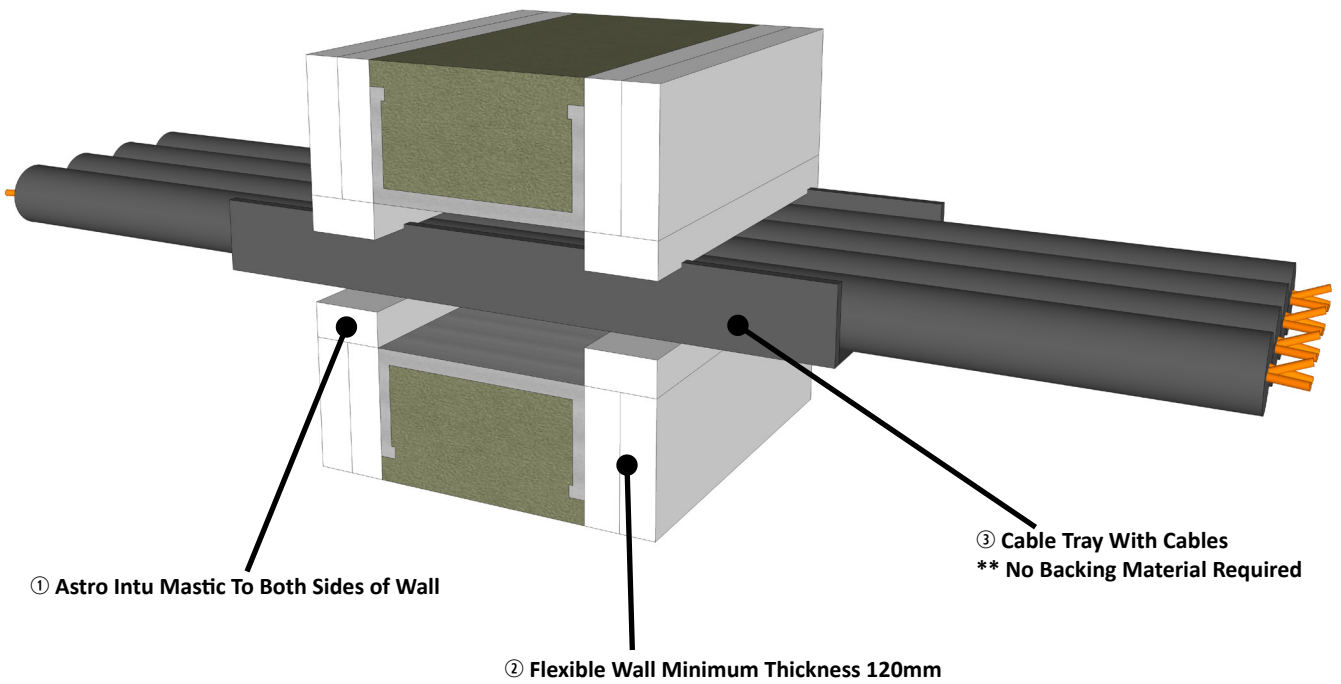
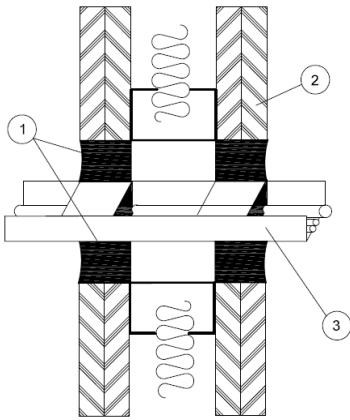
DESIGN TO ETA 14-0049 & CE 1121-CPR-JA5015 ASTRO INTU MASTIC FIRE RESISTANT LOOSE CABLE PENETRATION SEAL THROUGH FLEXIBLE WALL HORIZONTAL ORIENTATION WITHOUT BACKING MATERIAL



DESIGN TO ETA 14-0049 & CE 1121-CPR-JA5015 ASTRO INTU MASTIC FIRE RESISTANT LOOSE CABLE PENETRATION SEAL THROUGH FLEXIBLE WALL HORIZONTAL ORIENTATION



DESIGN TO ETA 14-0049 & CE 1121-CPR-JA5015 ASTRO INTU MASTIC FIRE RESISTANT CABLE TRAY & CABLE PENETRATION SEAL THROUGH FLEXIBLE WALL HORIZONTAL ORIENTATION WITHOUT BACKING MATERIAL

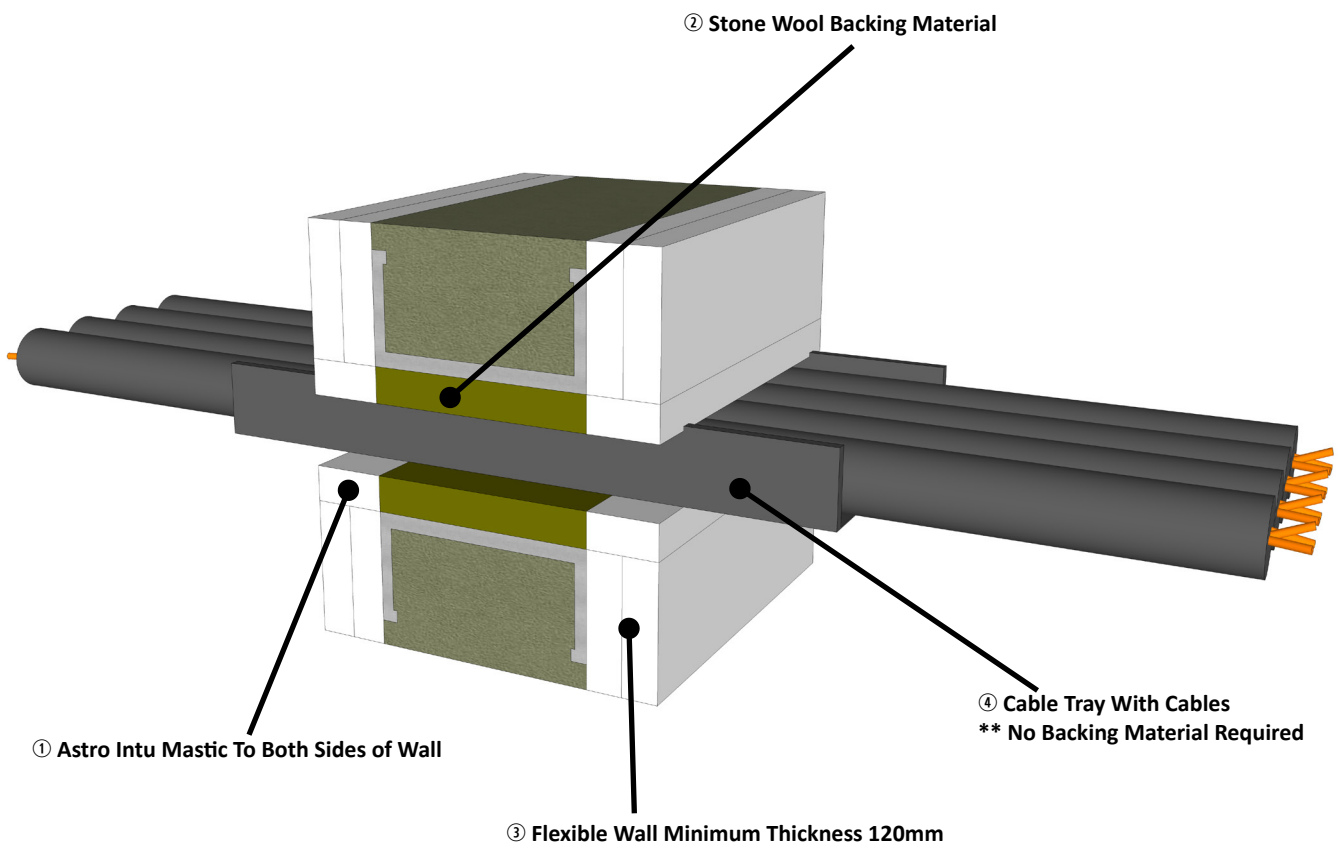
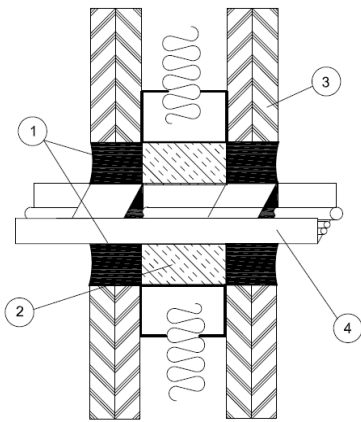


① Astro Intu Mastic To Both Sides of Wall

② Flexible Wall Minimum Thickness 120mm

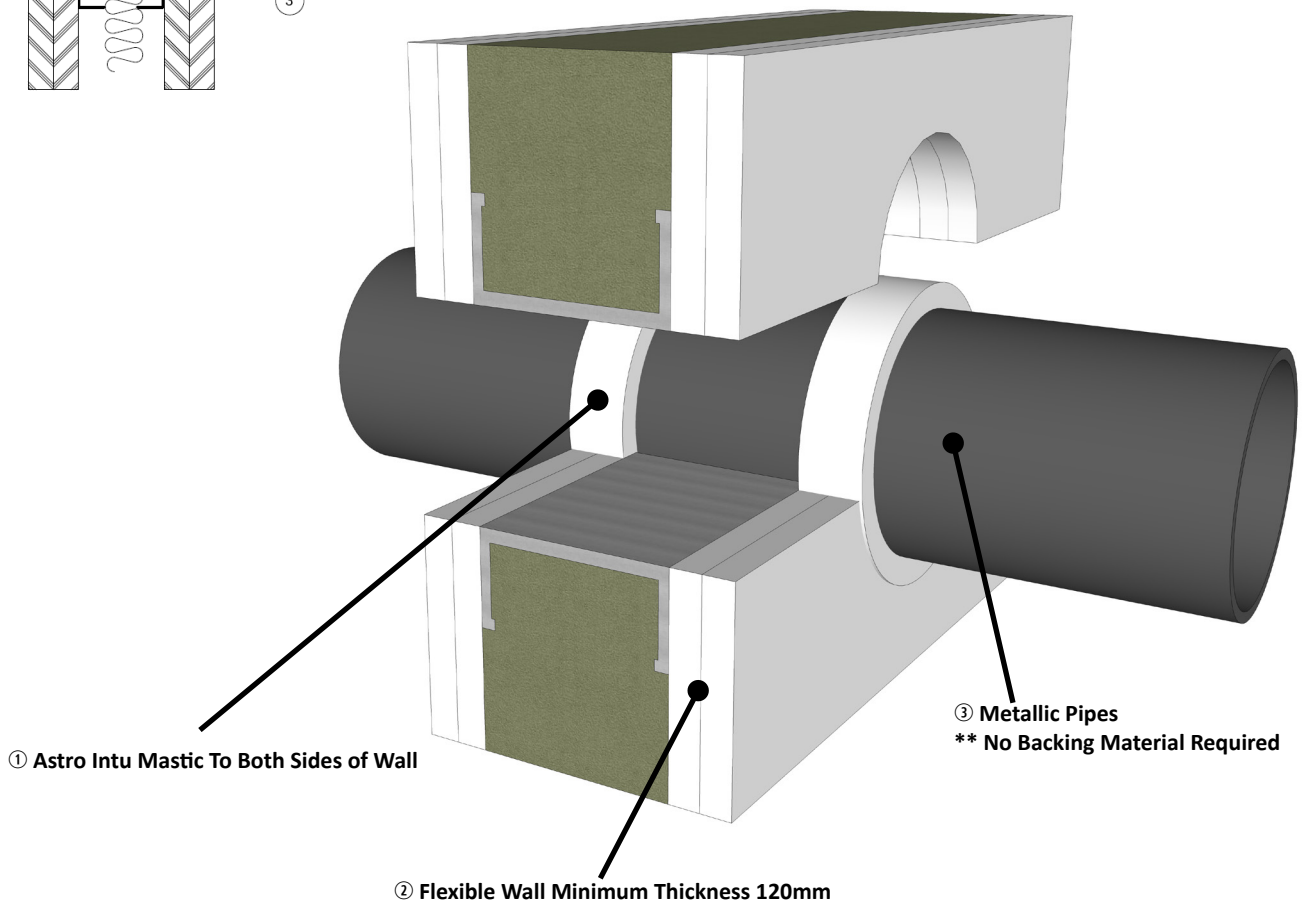
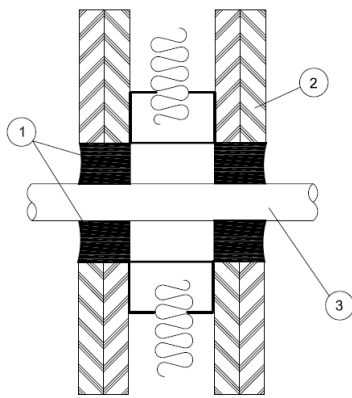
③ Cable Tray With Cables
** No Backing Material Required

DESIGN TO ETA 14-0049 & CE 1121-CPR-JA5015 ASTRO INTU MASTIC FIRE RESISTANT CABLE TRAY & CABLE PENETRATION SEAL THROUGH FLEXIBLE WALL HORIZONTAL ORIENTATION

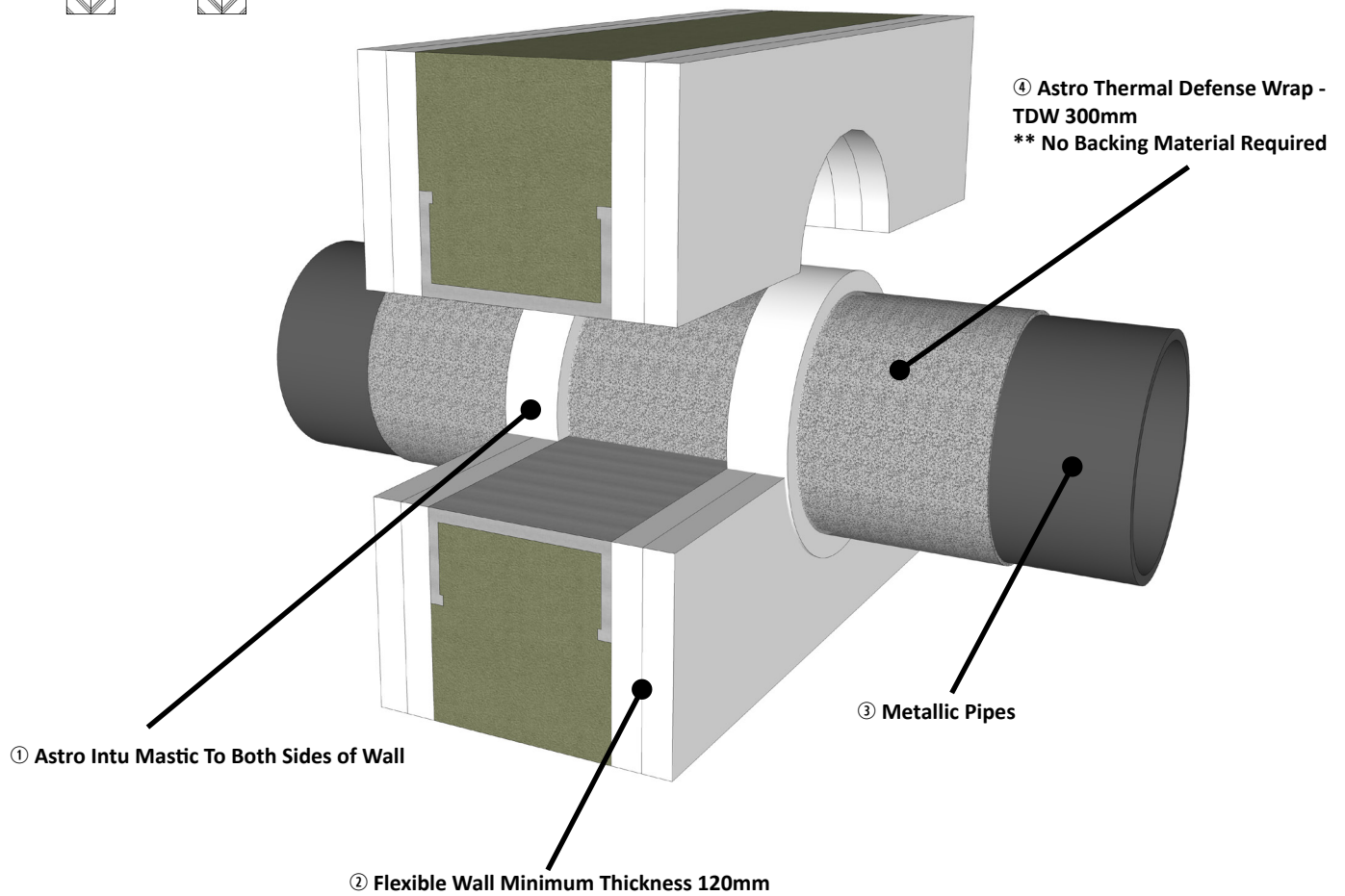
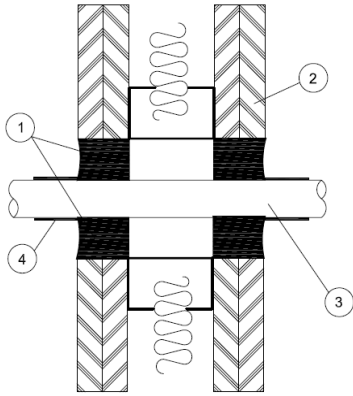


Astro Intu Mastic Linear Joint Seals. Min 120mm Thick Flexible or Rigid Wall. Sealant to Both Sides of The Wall.			
Penetrations Specification	Depth (mm)	Backing material	Classification
Copper/Steel Pipe 15mm Ø, 0.8mm - 7.4 wall thickness	10mm annulus x 25mm deep	N/A	E120 C/U EI20 C/U
Copper/Steel Pipe 40mm Ø, 0.8mm - 14.2mm wall thickness	10mm annulus x 25mm deep	N/A	E120 C/U EI15 C/U
Copper/Steel Pipe 40-159mm Ø, 1.8mm - 14.2mm wall thickness	10mm annulus x 25mm deep	N/A	E120 C/U
Copper/Steel Pipe 40mm Ø, 0.8mm - 14.2mm wall thickness*	10mm annulus x 25mm deep	N/A	E120 C/U EI90 C/U
Copper/Steel Pipe 40-159mm Ø, 1.8mm - 14.2mm wall thickness*	10mm annulus x 25mm deep	N/A	E120 C/U EI20 C/U

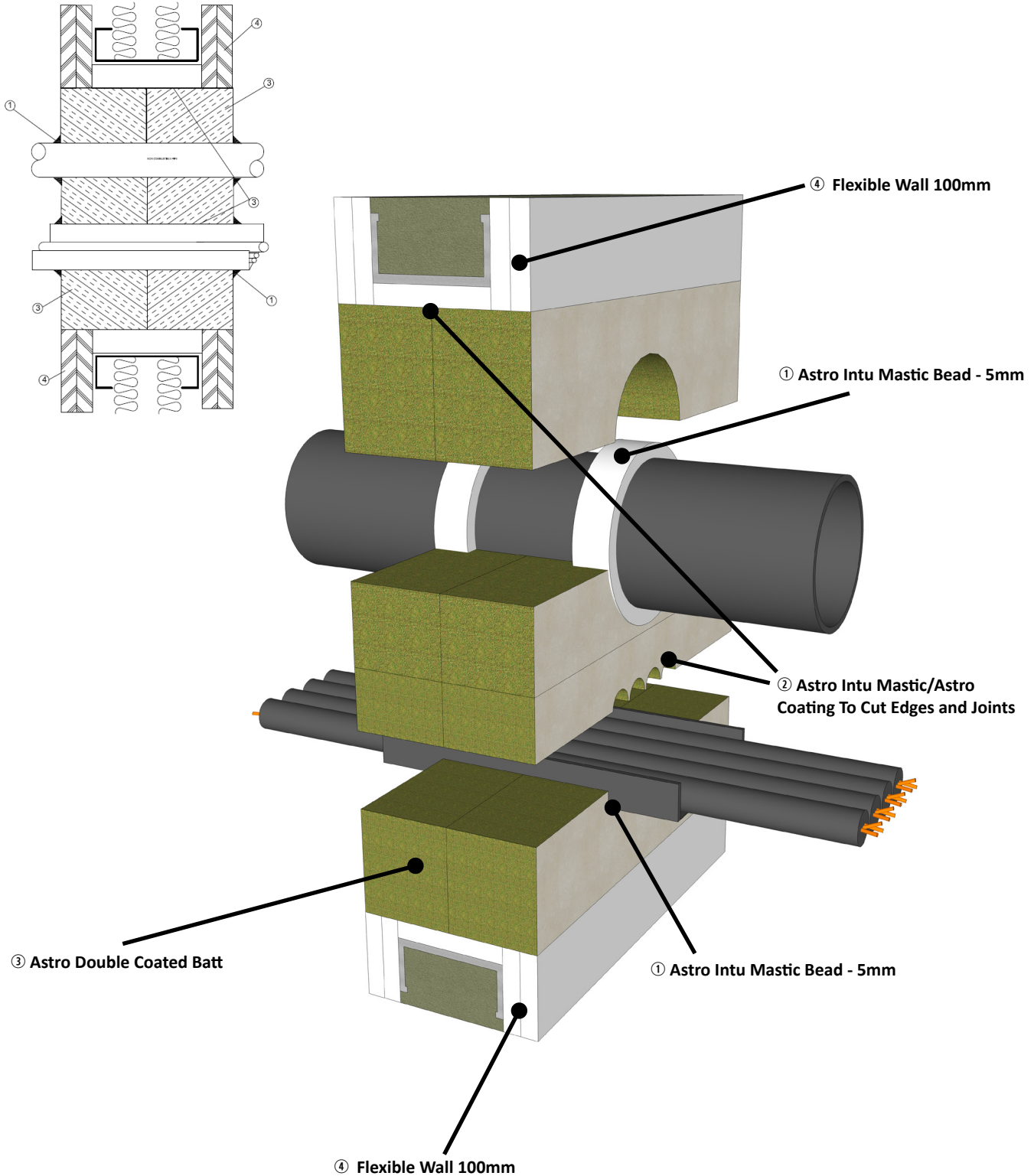
DESIGN TO ETA 14-0049 & CE 1121-CPR-JA5015 ASTRO INTU MASTIC FIRE RESISTANT METALLIC PIPE PENETRATION SEAL THROUGH FLEXIBLE WALL HORIZONTAL ORIENTATION WITHOUT BACKING MATERIAL



DESIGN TO ETA 14-0049 & CE 1121-CPR-JA5015 ASTRO INTU MASTIC FIRE RESISTANT METALLIC PIPE PENETRATION SEAL WITH TDW THROUGH FLEXIBLE WALL HORIZONTAL ORIENTATION WITHOUT BACKING MATERIAL



DETAIL OF INSTALLATION OF ASTRO INTU MASTIC TO SEAL ASTRO BATT SYSTEM IN A MULTI PENETRATION SEAL



XHHW & XHHW7.R27645

UL Certification Fill or Cavity Materials Certified for US & Canada

Astro Intu Mastic covers the fire exposure and hose stream tests conducted under UL Project No. 13CA05419. The fire exposure and hose stream tests were conducted in accordance with the Fourth edition of the Standard, December 12, 2012 and the Fourth Edition of the Standard, Fire Tests of Firestop Systems, CAN/ULC-S115-11, June 2011.

Test Assembly:

The test assembly consisted of a concrete floor and a steel stud/gypsum board wall assembly. The test assembly consisted of one head-of-wall joint system and two wall-to-wall joint system. The construction details of each joint system are described below:

Head of Wall

Nominal 25mm depth of sealant in 50mm wide joint, finished flush to each of the wall. Sealant backed with 80mm deep mineral wool 60kg/m³. Faces of the joint finished with steel studs but unlined.

Wall to Wall

Nominal 25mm depth of sealant in 10mm wide joints, finished flush to each face of the wall. Sealant backed with 120mm deep mineral wool 60kg/m³. Faces of the joint finished with steel studs but unlined.

Wall to Wall

Nominal 25mm depth of sealant in 50mm wide joint, finished flush to each face of the wall. Sealant backed with 80mm deep mineral wool 60kg/m³. Faces of the joint finished with steel studs but unlined.

Astro Intu Mastic for use in joint system described in Vol.2 of the UL Fire Resistance Directory. The specific system Nos. and the applicable rating information are as follows:

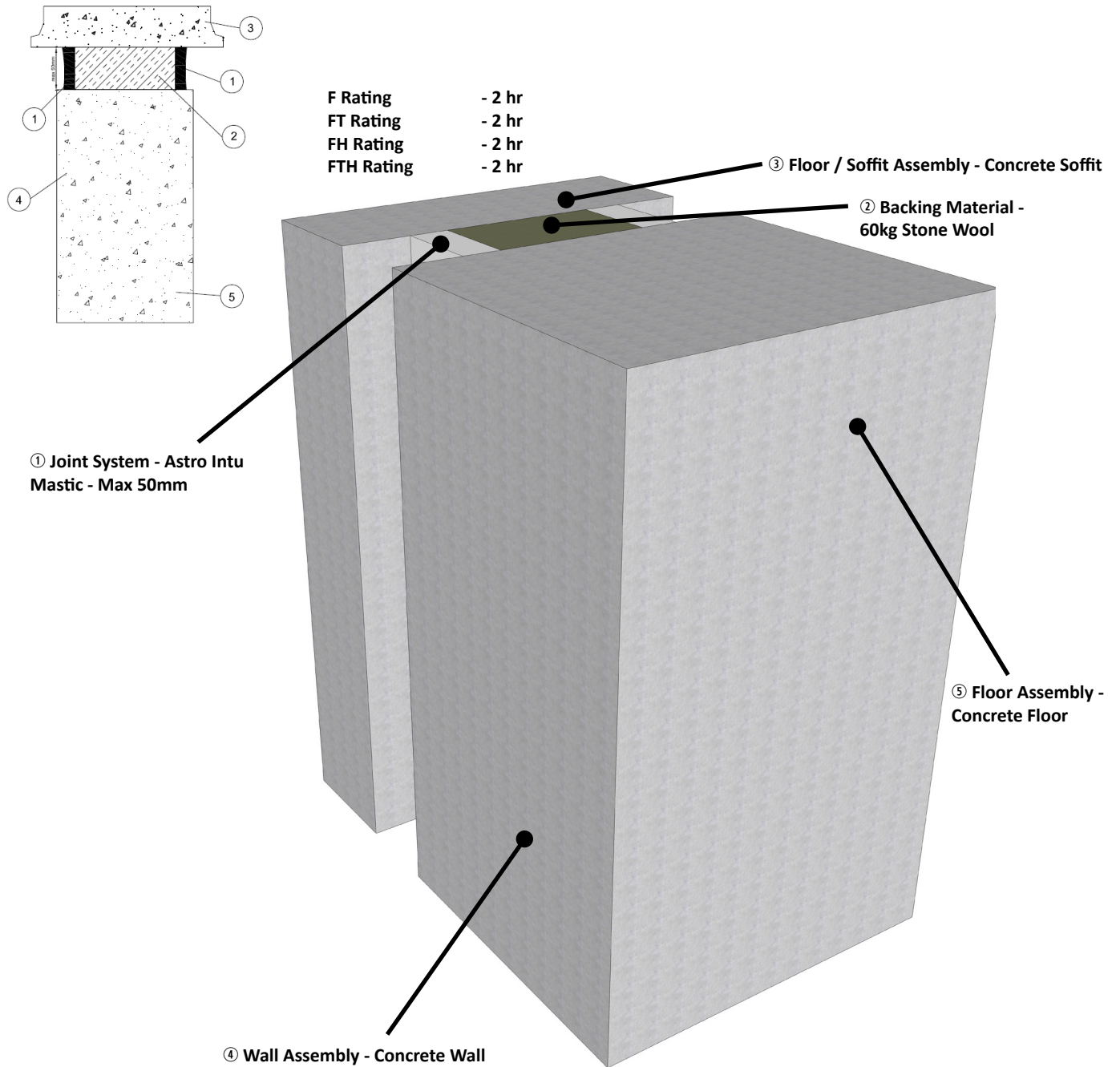
System No.	Rating, Hr			
	F	FT	FH	FTH
HW-S-0102	2	2	2	2
HW-S-0103	2	2	2	2

Astro Intu Mastic for use in Joints Systems described in the product Certified for Canada Directory. The specific System No. and the applicable rating information are as follows:

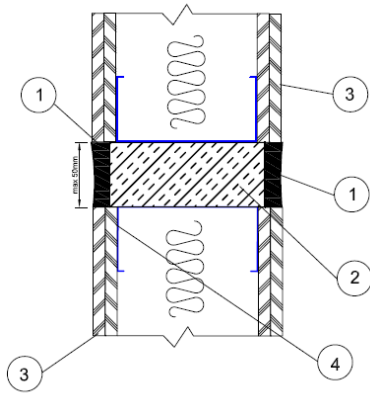
System No.	Rating, Hr			
	F	FT	FH	FTH
HW-S-0065	2	2	0	0
HW-S-0066	2	2	0	0

Maximum Joint Width, mm (in)	Min Sealant Thickness, mm (in)	Min packing Material Thickness, mm (in)
10 (3/8)	5 (1/4)	120 (4-3/4)
20 (7/8)	10 (3/8)	110 (4-3/8)
30 (1-1/4)	15 (5/8)	100 (4)
40 (1-5/8)	20 (3/4)	90 (3-1/2)
50 (2)	25 (1)	80 (3-1/8)

UL (C & US) SYSTEM DESIGN No. XHBN-HW-0102 ASTRO INTU MASTIC FIRE RATED JOINT THROUGH CONCRETE FLOOR / CONCRETE ASSEMBLY HEAD OF WALL



UL SYSTEM DESIGN No. XHBN-WW-0066 ASTRO INTU MASTIC FIRE RATED JOINT THROUGH LIGHTWEIGHT PARTITION



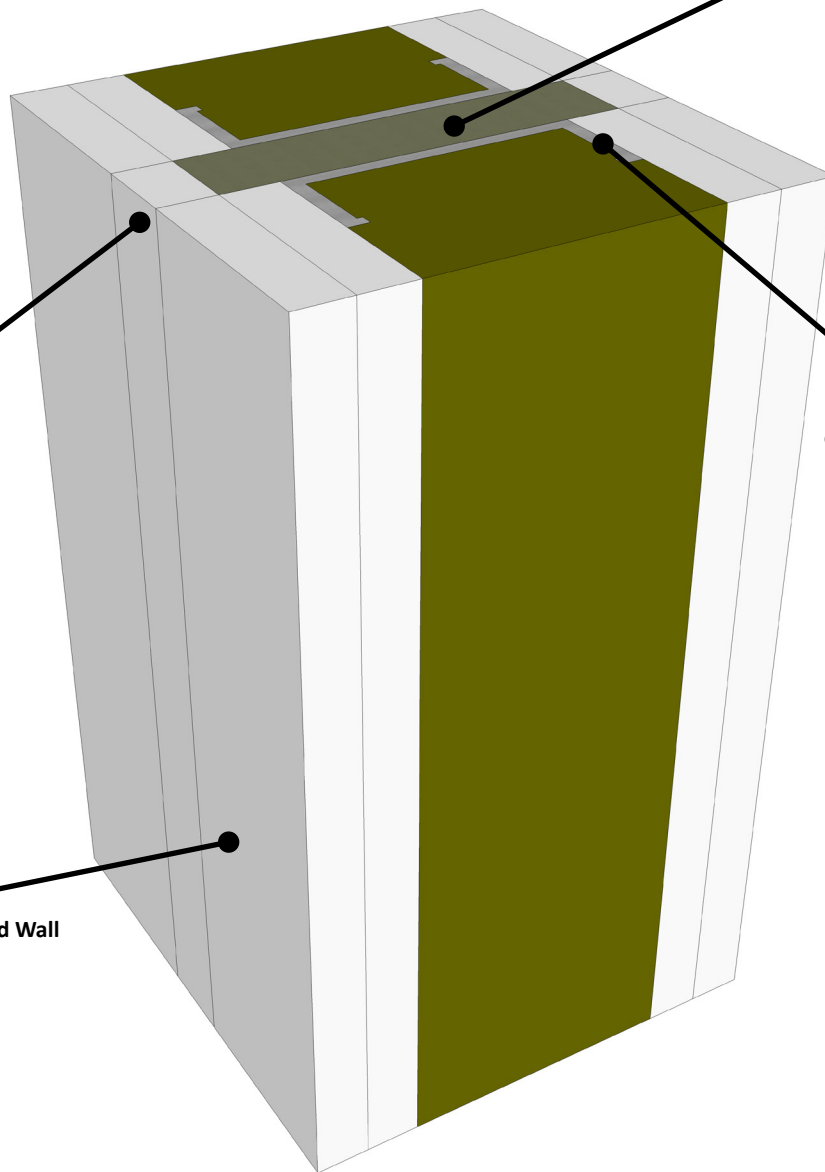
F Rating	- 2 hr
FT Rating	- 2 hr
FH Rating	- 0 hr
FTH Rating	- 0 hr

② Backing Material - 60kg Stone Wool

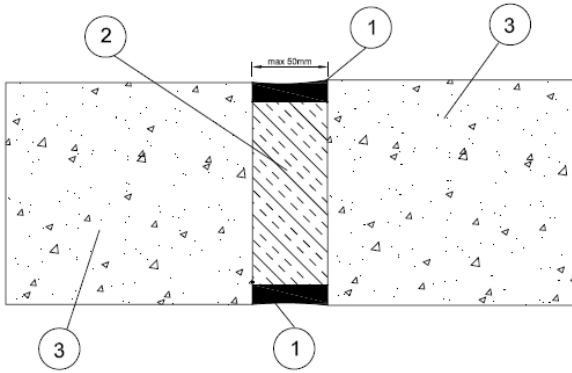
① Joint System - Astro Intu Mastic - Max 50mm

④ Partition - Metal Stud

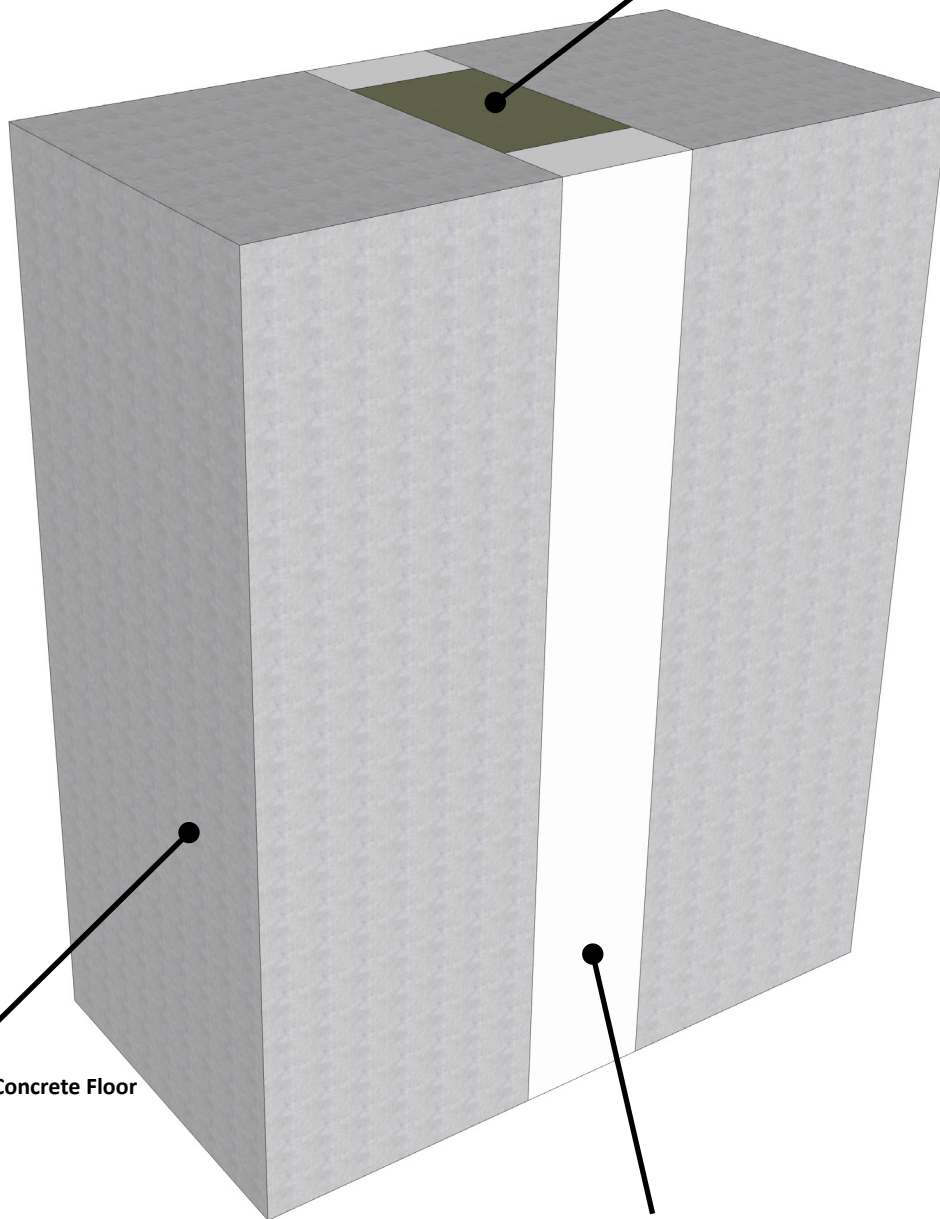
③ Wall Assembly - Plasterboard Wall



UL SYSTEM DESIGN No. XHBN-WW-0065 ASTRO INTU MASTIC FIRE RATED JOINT THROUGH CONCRETE WALL / CONCRETE WALL ASSEMBLY



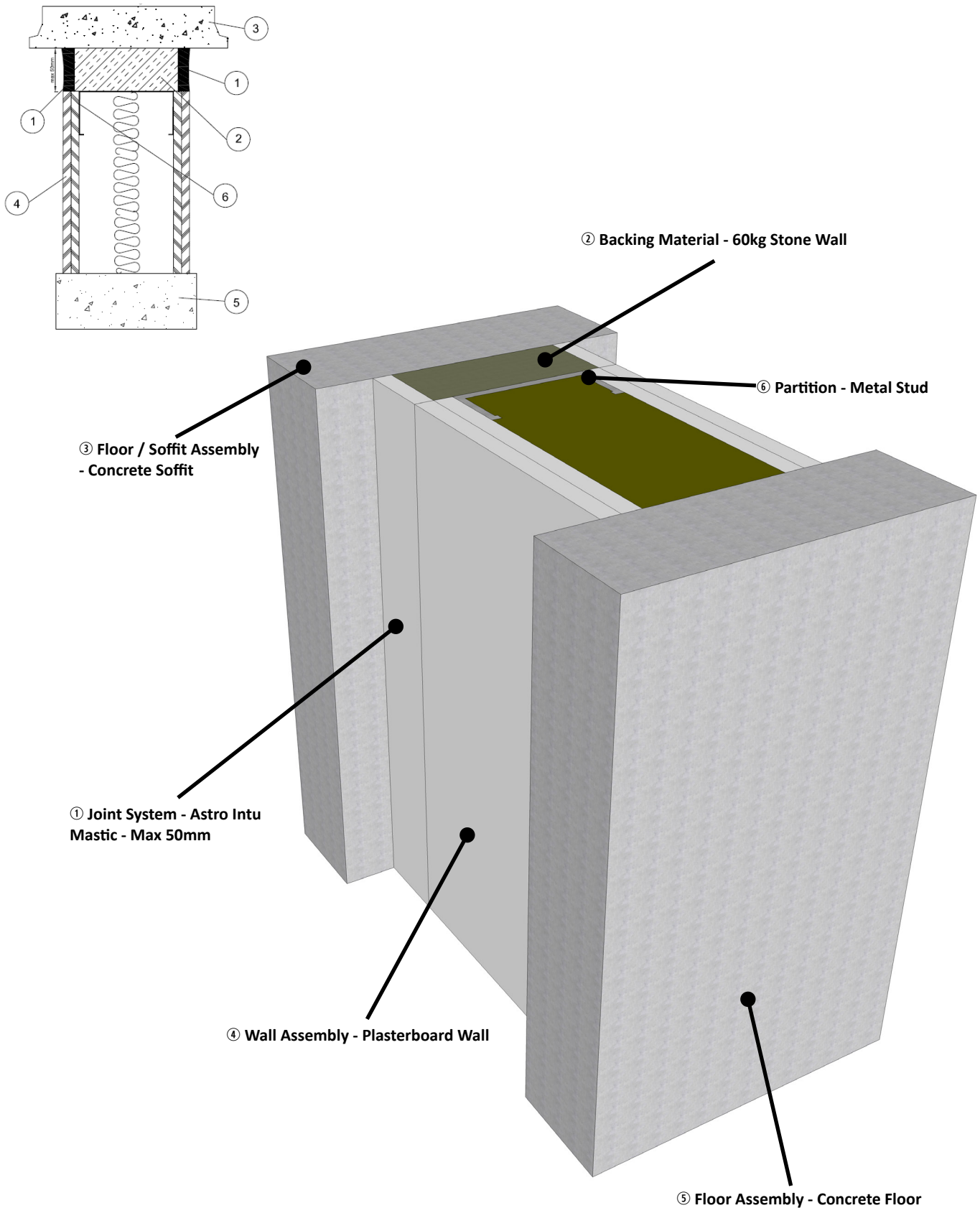
② Backing Assembly - 60kg Stone Wool



③ Floor Assembly - Concrete Floor

① Joint System - Astro Intu Mastic - Max 50mm

UL (C & US) SYSTEM DESIGN No. XHBN-HW-0103 ASTRO INTU MASTIC FIRE RATED JOINT THROUGH CONCRETE FLOOR / LIGHTWEIGHT PARTITION ASSEMBLY HEAD OF WALL



Durability and Serviceability

Type Z₁: Intended for use internal conditions with humidity equal to or higher than 85% RH excluding temperatures below 0°C, without exposure to rain or UV. The Durability conditions specified for this material was Type Z₁ (23°C, 40°C). this is and 8 and 16 hours cycled program with extremities of 23°C and 40°C lasting for 21 days.

ISO7619-1(2010) Hardness after Curing using Ceast Shore 'A' bench-top durometer (T13) Readings taken after 15s Conditions: 23°C 50% RH

ISO8339:2005 Tensile Properties using instron 6025 test frame, 1kN load cell, environmental chamber, pneumatic grips Conditions: Test rate 5.5mm/s. Temperature as indicate.

Note: Three specimens prepared as controls and for durability using M2 mortar and 12mm spacers as indicate in ISO 8339.

ISO9046;2005 Adhesion properties using instron 5500 test frame, pneumatic grips, 1kN load cell

Conditions: 23°C 50%RH

Notes: Three specimens prepared as controls and for durability using M2 mortar and 12mm spacers as indicated in ISO 9046

LEED 2009 EQ c4.1, SCAQMD rule 1168 (2005) - VOC

Sample identification	Astro Intu Mastic
Product type	Sealant - Other (Fire Resistance)
Product Data	Density: 1.6g/ml at 20°C Water content: 32.5 g/l Exempt Compounds: none ***

Method	Principle	Parameter	Detection Limit	Uncertainty Um (%)
LEED 2009 EQ c4.1	Gravimetric	Total Volatiles, SCAQMD rule 204	1 g/l	10%
Volatile content of the sample was determined gravimetrically by heating up to 110°C during 60 minutes. The result is the average of double testing. The result was calculated as: ([g all volatiles] - [g exempt compounds]) / ([l material] - [l water] - [l exempt compounds])				

Solid content	Water content, % mass	Exempt compounds, % mass	VOC less water less exempt compounds, g/l	VOC limit g/l
76.8	2	0***	350	750*

* VOC limit for "other sealants"

*** No information about exempt compounds. Set to zero



Astro Intu Mastic

This relates to the use of Astro Intu Mastic through 3rd party certification with Certifire for the fire protection of movement joints within walls and floors. The detailed scope is given in the Approval Matrix. This shows the thickness and acceptable services for Astro Intu Mastic required to provide fire resistance periods in accordance with BS 476: part 20: 1987 of up to 240 minutes for wall/floor constructions. The scope of certification complies with the guidelines stated in the ASFP Red Book: 3rd Edition for 3rd party certification schemes.

This level of certification is designed to demonstrate compliance of the products or system specifically with Approved Document B (England and Wales). If compliance is required to regulatory or guidance documents there may be additional constructions or conflict to be taken into account.

The product is approved on the basis of:

- I. Initial type testing
- II. Audit testing at the frequency specified in TS03
- III. A design appraisal against TS03
- IV. Inspection and surveillance of factory production control

The concrete walls shall be at least 150mm thick and the floors at least 230mm thick and have at least the same fire rating as that required for the penetration seal.

Masonry and concrete gap faces will be within the density range of 450 to 2300kg/m³, and gap faces will be free loose or flaking materials

Backing or support materials may be polyethylene or polyurethane foam, material or ceramic fibre insulation.

The approval relates to ongoing production. Product and/or its immediate packaging is identified with the manufacture's name, the product name or number, the CERTIFIRE name or name and mark, together with the CERTIFIRE certificate number CF640 and application where appropriate.



Astro Intu Mastic EN 1366-4 Approval Matrix

Wall and Floor Installations :- Double Sided Seals						
Product Name:				Astro Intu Mastic		
Configuration		Max. Joint Width (mm)	Minimum Seal Depth (mm)	Backing Material	Integrity (mins)	Insulation (mins)
Wall Constructions (min 250mm thick)	Autoclaved aerated concrete to autoclaved aerated concrete	20	10	Polyethylene 30mm diameter	300	300
	Autoclaved aerated concrete to autoclaved aerated concrete	30	15	Polyethylene 40mm diameter	300	210
	Autoclaved aerated concrete to autoclaved aerated concrete	40	20	Polyethylene 50mm diameter	300	210
	Autoclaved aerated concrete to autoclaved aerated concrete	50	25	Polyethylene 60mm diameter	300	210
	Brick to Autoclaved aerated concrete	15	10	Polyethylene 20mm diameter	240	0
	Brick to Autoclaved aerated concrete	25	10	Polyethylene 30mm diameter	240	30
	Steel to aerated blockwork	30	15	Polyethylene 40mm diameter	300	90
	Steel to aerated blockwork	50	25	Ethafoam 50mm diameter	60	30
	Hardwood to aerated blockwork	50	25	Ethafoam 50mm diameter	60	60
	Softwood to aerated blockwork	25	12	Ethafoam 30mm diameter	30	30
Wall Constructions (min 250mm thick)	Aerated concrete to aerated concrete	20	10	Polyethylene 30mm diameter	300	120
	Aerated concrete to aerated concrete	30	15	Polyethylene 40mm diameter	300	60
	Aerated concrete to aerated concrete	40	20	Polyethylene 50mm diameter	300	60
	Aerated concrete to aerated concrete	50	25	Polyethylene 60mm diameter	300	210
	Softwood to aerated concrete	25	12	Ethafoam 30mm diameter	30	30
	Hardwood to aerated concrete	50	25	Ethafoam 50mm diameter	30	30
	Steel to aerated concrete	50	25	Ethafoam 50mm diameter	60	60
Application Technique		On good clean, virgin blockwork, no priming required.				



Astro Intu Mastic EN 1366-4 Approval Matrix

Wall and Floor Installations :- Single Sided Seals						
Product Name:				Astro Intu Mastic		
Configuration		Max. Joint Width (mm)	Minimum Seal Depth (mm)	Backing Material	Integrity (mins)	Insulation (mins)
Wall Constructions (min 100mm thick)	Autoclaved aerated concrete to autoclaved aerated concrete	50	25	Polyethylene 50mm diameter	120	60
	Autoclaved aerated concrete to autoclaved aerated concrete	40	20	Polyethylene 40mm diameter	120	30
	Autoclaved aerated concrete to autoclaved aerated concrete	30	15	Polyethylene 30mm diameter	120	30
	Autoclaved aerated concrete to autoclaved aerated concrete	20	10	Polyethylene 20mm diameter	120	30
	Autoclaved aerated concrete to softwood	50	25	Polyethylene 50mm diameter	45	30
	Autoclaved aerated concrete to softwood	40	20	Polyethylene 40mm diameter	30	15
	Autoclaved aerated concrete to softwood	30	15	Polyethylene 30mm diameter	30	15
	Autoclaved aerated concrete to softwood	20	10	Polyethylene 20mm diameter	30	15
	Autoclaved aerated concrete to steel	50	25	Polyethylene 50mm diameter	45	30
	Autoclaved aerated concrete to steel	40	20	Polyethylene 40mm diameter	45	30
	Autoclaved aerated concrete to steel	30	15	Polyethylene 30mm diameter	45	30
	Autoclaved aerated concrete to steel	20	10	Polyethylene 20mm diameter	120	15
Application Technique		On good clean, virgin blockwork, no priming required.				



Astro Intu Mastic EN 1366-4 Approval Matrix

Wall and Floor Installations :- Single Sided Seals						
Product Name:				Astro Intu Mastic		
Configuration		Max. Joint Width (mm)	Minimum Seal Depth (mm)	Backing Material	Integrity (mins)	Insulation (mins)
Floor Constructions (min 150mm thick)	Autoclaved aerated concrete to autoclaved aerated concrete	50	25	Polyethylene 50mm diameter	120	60
	Autoclaved aerated concrete to autoclaved aerated concrete	40	20	Polyethylene 40mm diameter	120	30
	Autoclaved aerated concrete to autoclaved aerated concrete	30	15	Polyethylene 30mm diameter	120	30
	Autoclaved aerated concrete to autoclaved aerated concrete	20	10	Polyethylene 20mm diameter	120	30
	Autoclaved aerated concrete to softwood	50	25	Polyethylene 50mm diameter	45	30
	Autoclaved aerated concrete to softwood	40	20	Polyethylene 40mm diameter	30	15
	Autoclaved aerated concrete to softwood	30	15	Polyethylene 30mm diameter	30	15
	Autoclaved aerated concrete to softwood	20	10	Polyethylene 20mm diameter	30	15
	Autoclaved aerated concrete to steel	50	25	Polyethylene 50mm diameter	45	30
	Autoclaved aerated concrete to steel	40	20	Polyethylene 40mm diameter	45	30
	Autoclaved aerated concrete to steel	30	15	Polyethylene 30mm diameter	45	30
	Autoclaved aerated concrete to steel	20	10	Polyethylene 20mm diameter	120	15
	Application Technique		On good clean, virgin blockwork, no priming required.			

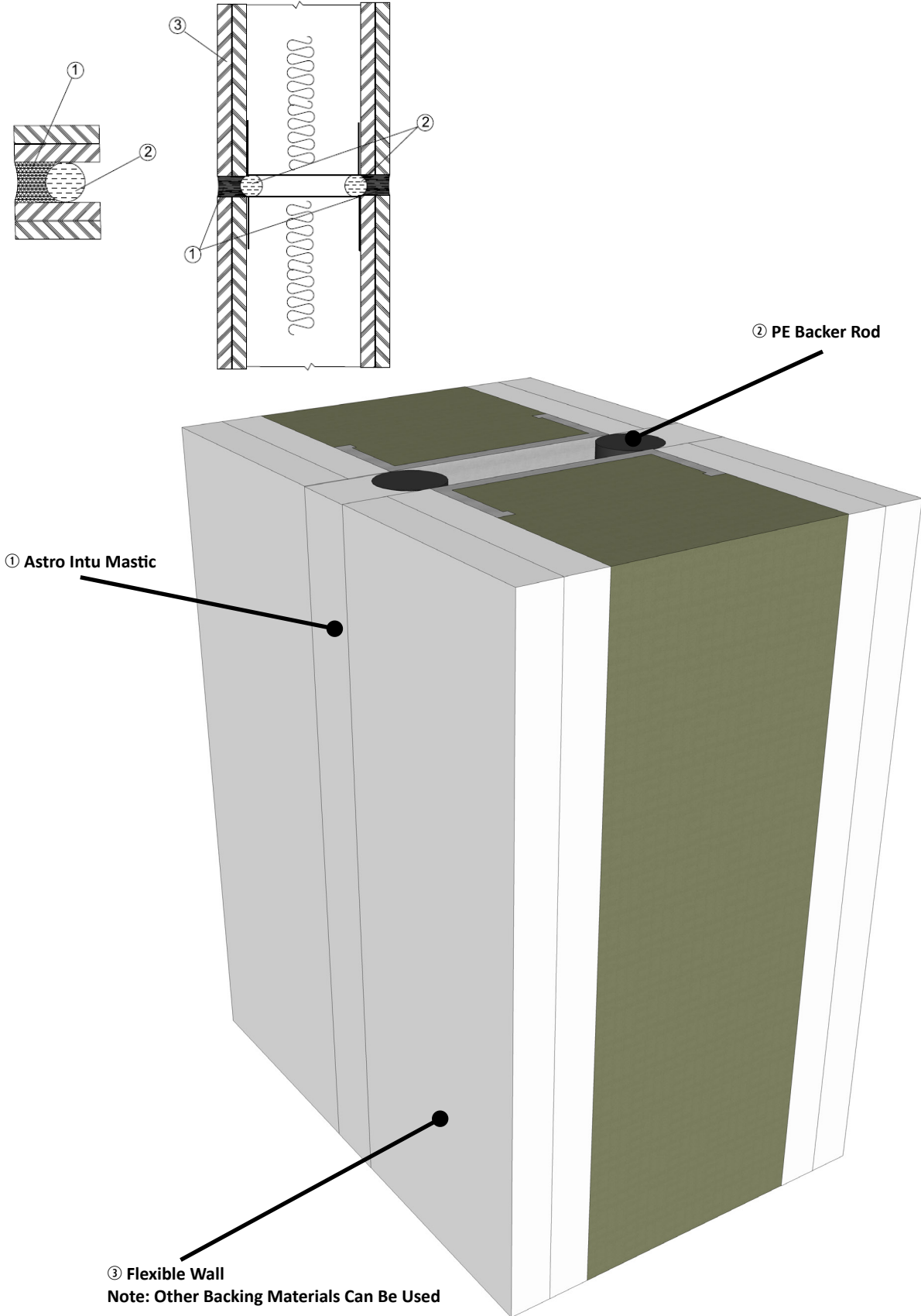


Astro Intu Mastic EN 1366-4 Approval Matrix

Wall Installations :- Double Sided Seals						
Product Name:				Astro Intu Mastic		
Configuration		Max. Joint Width (mm)	Minimum Seal Depth (mm)	Backing Material	Integrity (mins)	Insulation (mins)
Wall Constructions (min 120mm thick)	Autoclaved aerated concrete to autoclaved aerated concrete Drywall to autoclaved aerated concrete	20	12.5	Polyethylene 20mm diameter	120	120
Wall Constructions (min 100mm thick)	Autoclaved aerated concrete to autoclaved aerated concrete	20	12.5	Polyethylene 20mm diameter	120	120
Application Technique		On good clean, virgin blockwork, no priming required.				



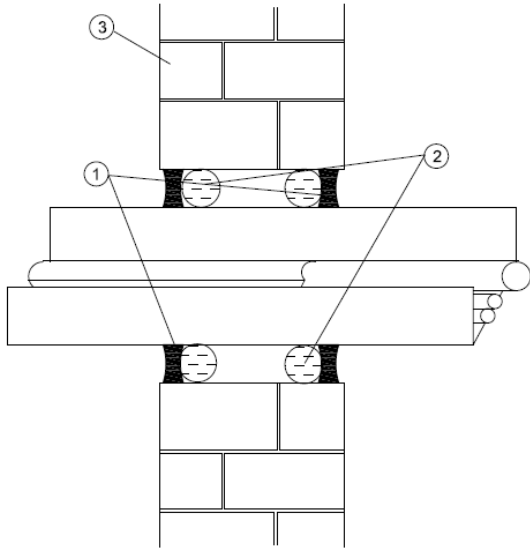
TYPICAL DETAILS OF FLEXIBLE WALL GAP USING INTU MASTIC WITH PE BACKER ROD



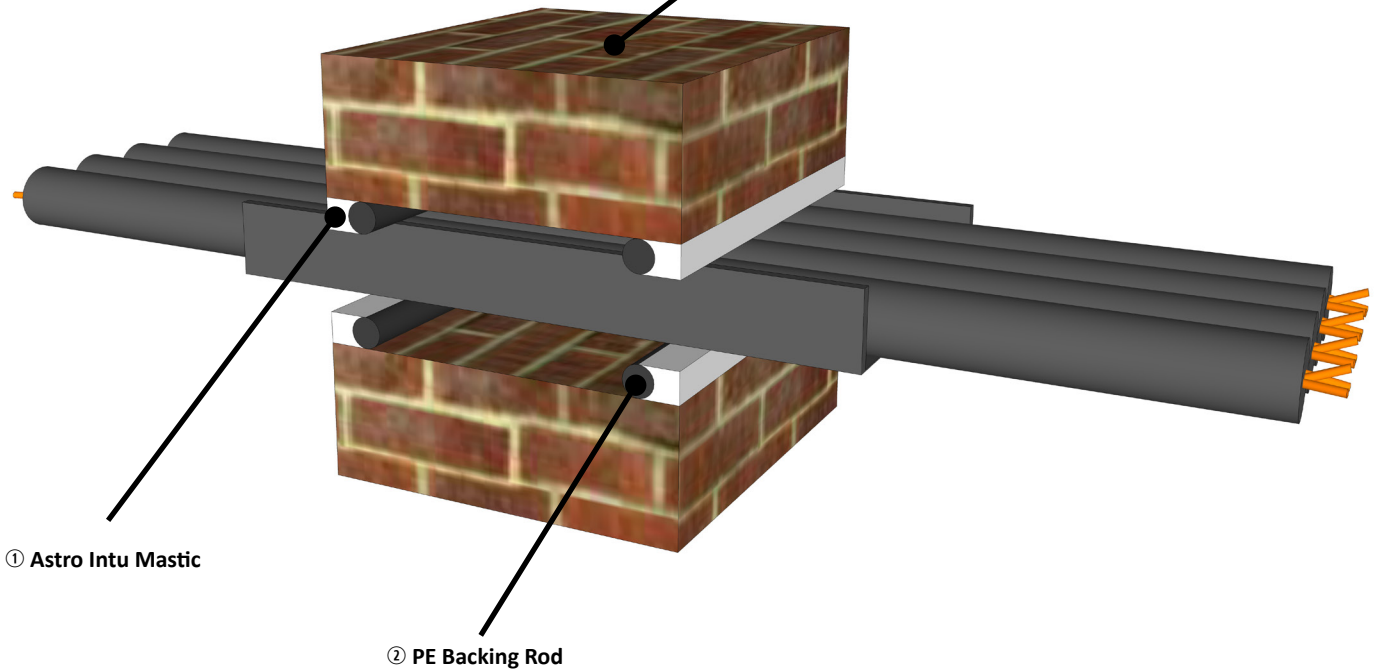
DET 8-0007 Date: 21/01/14



TYPICAL VERTICAL SECTION SHOWING USE OF THE ASTRO INTU MASTIC IN A BLOCKWALL WITH A CABLE TRAY

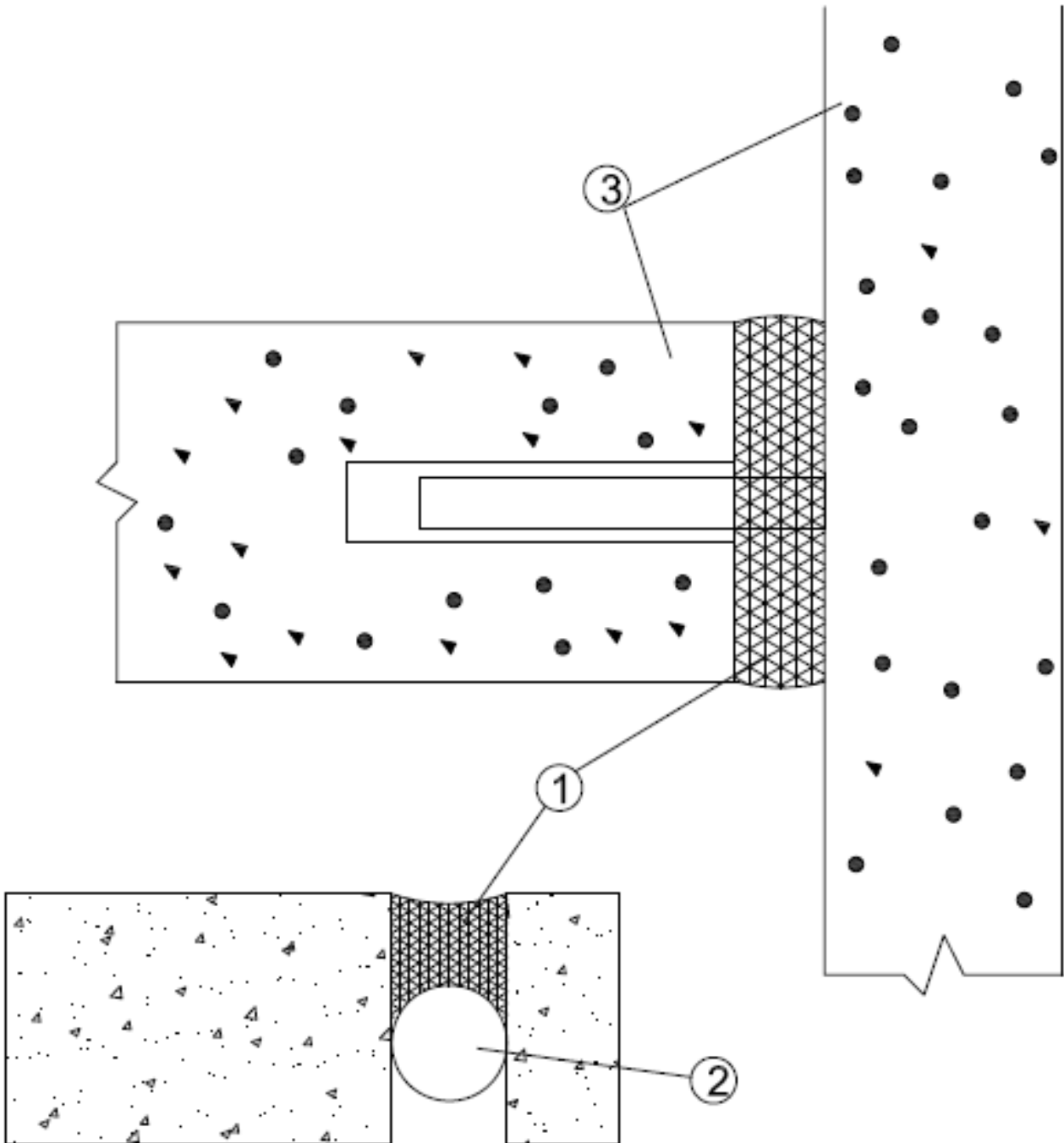


③ Rigid Wall
Note: Stone Wool Can be Used in Place PE Backing Rod





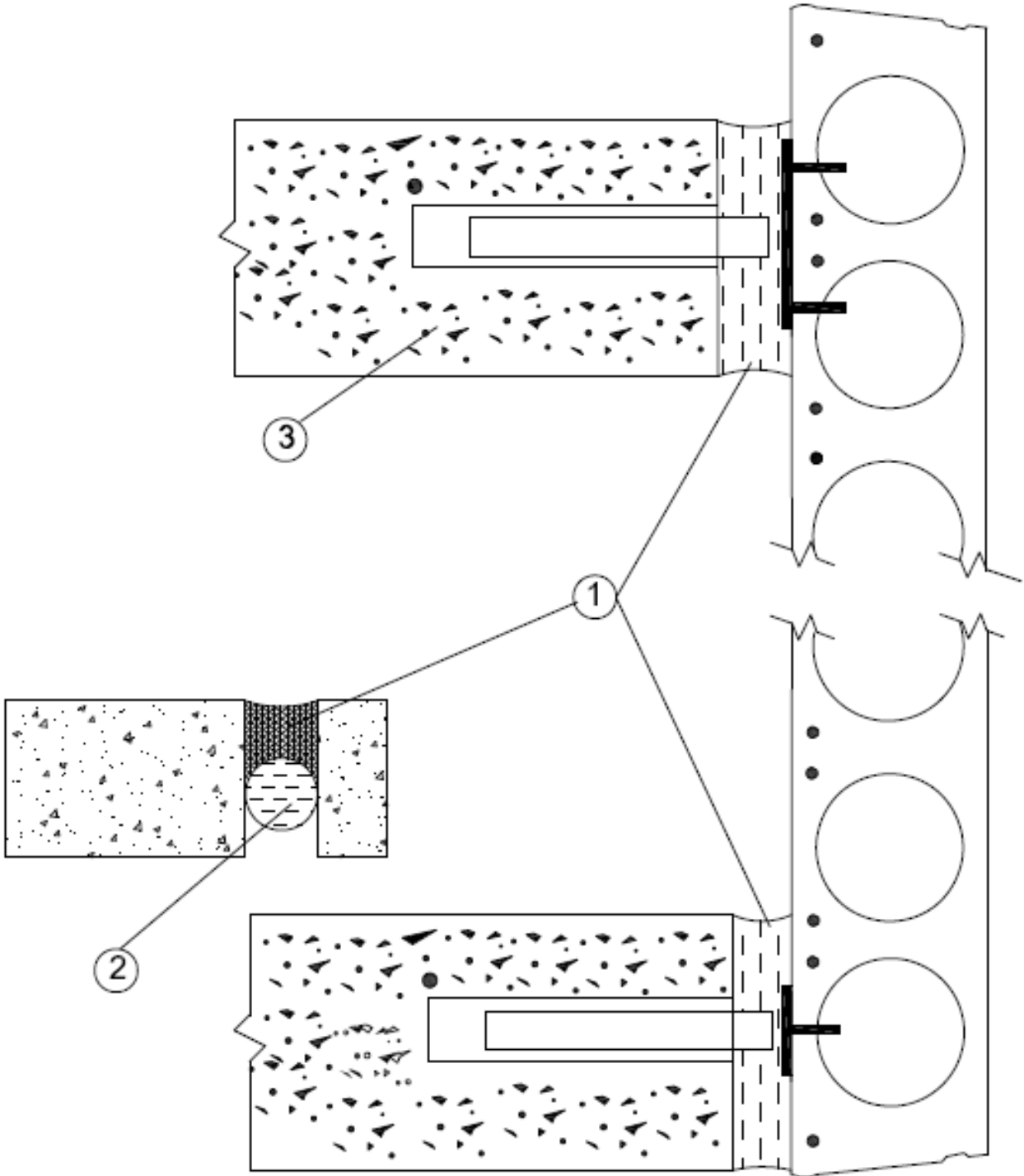
BLOCKWORK TO COLUMN GAP USING ASTRO INTU MASTIC WITH PE BACKER ROD



- ① Intu Mastic
- ② PE Backing Rod (Under Sealant) See Insert
- ③ Rigid Wall / Floor



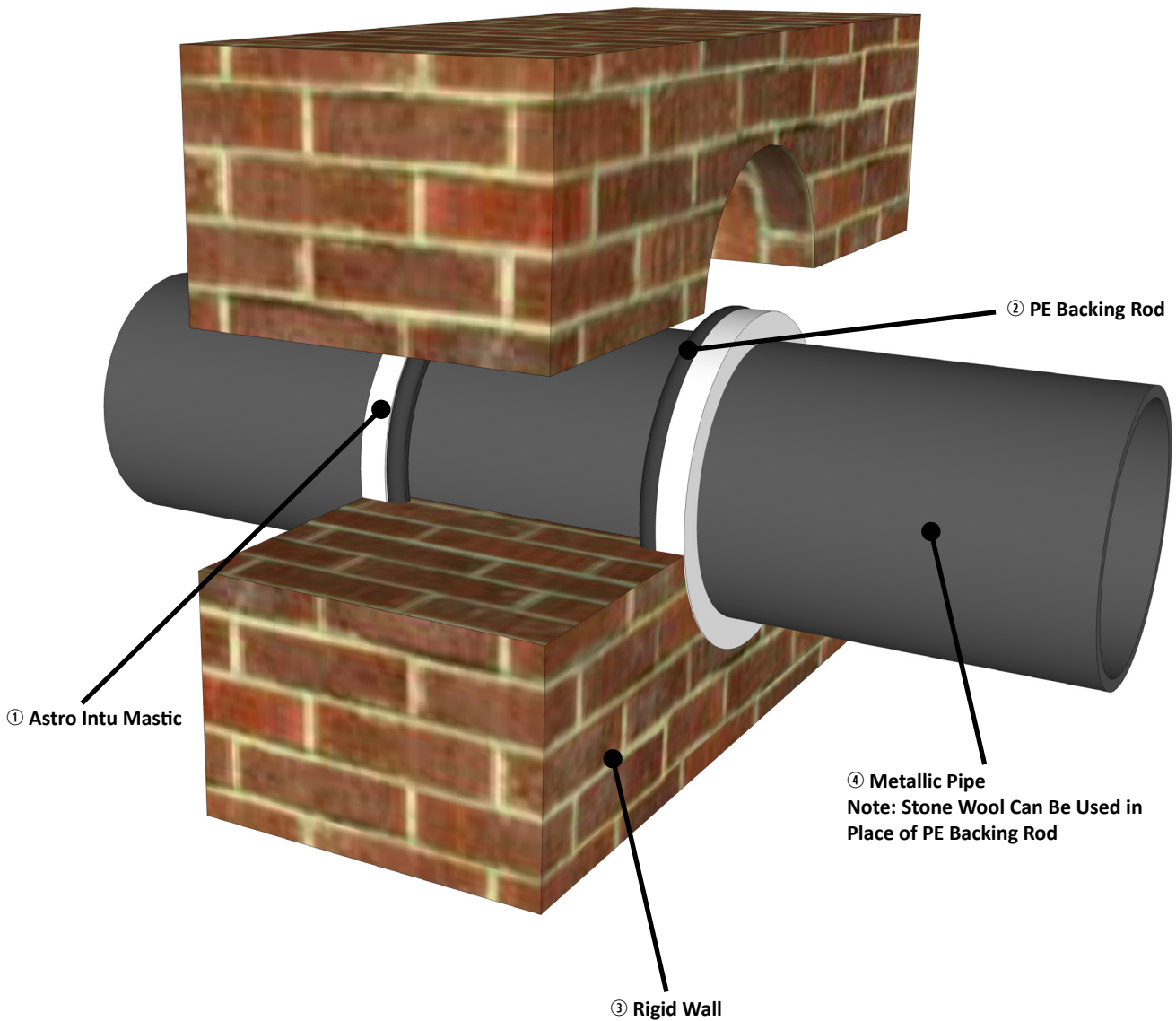
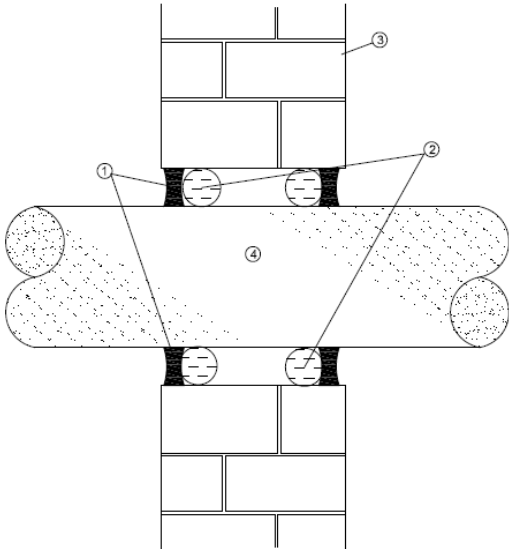
BLOCKWORK TO COLUMN GAP USING ASTRO INTU MASTIC WITH PE BACKER ROD



- ① Intu Mastic
- ② PE Backer Rod
- ③ Rigid Wall



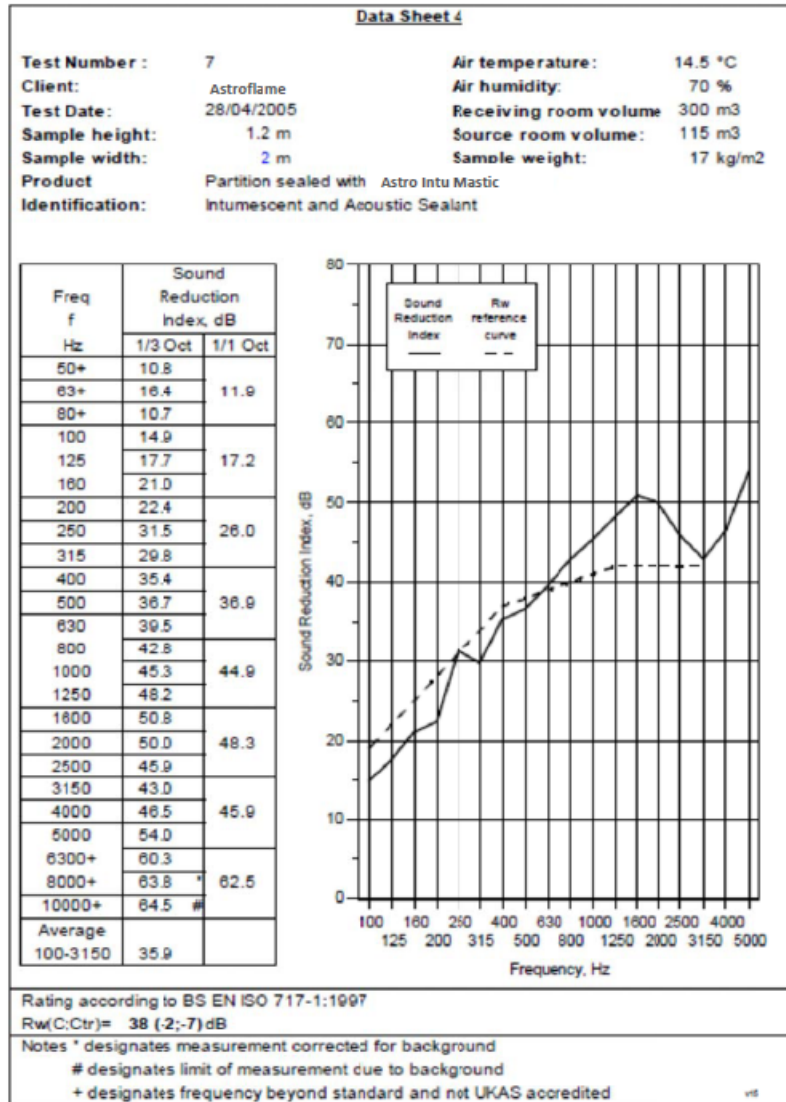
BLOCKWORK TO COLUMN GAP USING ASTRO INTU MASTIC WITH PE BACKER ROD



DET 8-0006 Date: 21/01/14



S R L



Air Permeability EN1026	Pressure (Pa)	Positive pressure (m ³ /h/m ²)	Negative pressure (m ³ /h/m ²)
	50	0	0
	10	0	0
Acoustic Rating BS EN ISO 10140-3:1995	Rw(C;Ctr) :38(-2;-7) dB		

As part of our policy of ongoing improvements, we reserve the right to modify, alter or change product specifications without giving notice. Product illustrations are representations only. All information contained in this document is provided for guidance only, and as ASTROFLAME (FIRE SEALS) LTD has no control over the specific application or installation methods of the products, or of the prevailing site conditions, no warranties expressed or implied are intended to be given as to the actual performance of the products mentioned or referred to, and no liability whatsoever will be accepted for any loss, damage or injury arising from the use of the information given of products mentioned or referred to herein.

The above information to the best of our knowledge is true and accurate and based upon current test data and is supplied for your guidance only. Customers should satisfy themselves to the suitability of the product based on the products limitation of applications and that the product is fit for purpose for their intended use and no guarantee is given or implied since the conditions of actual use are beyond our control. ASTROFLAME (FIRE SEALS) LTD, disclaim any liability for loss, damage or other expense arising from the use of information, data or products mentioned or referred to and reserve the right to change any details or specifications without notice. If you are in any doubt as to the suitability of this product for your intended application please contact our technical team on 01329 844500 or email sales@astroflame.com and we will contact you.